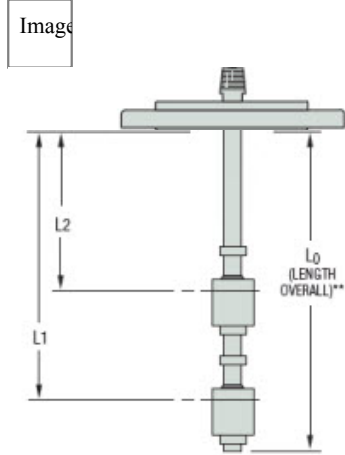


LEVEL SWITCHES

Part No. W1014761  
 Unit Price \$849  
 Lead Time 15  
 (Business Days)



Technical Specifications	
<b>Specific Gravity:</b>	0.85 and greater
<b>Max. Pressure:</b>	Atmospheric (15 PSI)
<b>Operating Temp.:</b>	0 to 125
<b>Mounting Type:</b>	(4) 3" 150# Flange
<b>Switch Type:</b>	SPDT, 20VA
<b>Wiring Group:</b>	Group 4 - Independent Return
<b>Number of Levels:</b>	2
<b>Electrical Connection:</b>	ABS Junction Box
<b>Float Material:</b>	PVC
<b>Float Type:</b>	PVC (16306)
<b>Stainless Steel Tagging:</b>	RAC3-LSL_LSH711-1-42A

Ordering Information	
<b>Part Number:</b>	W1014761
<b>List Price:</b>	\$849
<b>Lead Time:</b>	15 Business Days
<b>Min. Order Quantity:</b>	1
<b>Shipping Weight:</b>	0.75 lbs.
<b>Model Description:</b>	LS800PVC-4-SPDT-20-GR4-2

Dimensional Specifications	
<b>L2:</b>	19" NC
<b>L1:</b>	23" NO
<b>L0:</b>	25.000"

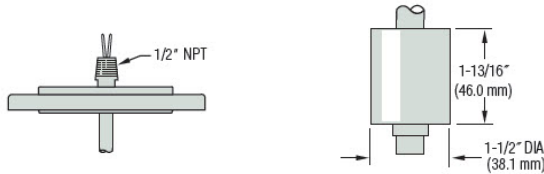


Image: LS-800PVC\_dimer