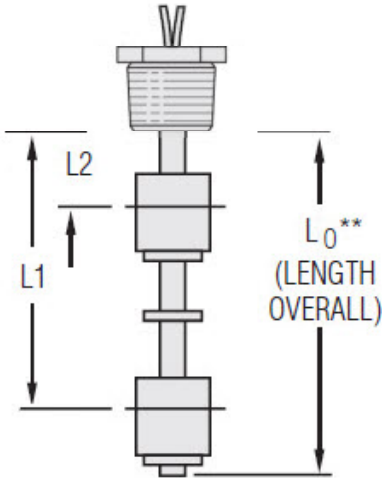


LEVEL SWITCHES

Part No. W1063766
 Unit Price \$1125.25
 Lead Time 40
 (Business Days)



Technical Specifications	
Specific Gravity:	1.52
Max. Pressure:	1
Operating Temp.:	68
Mounting Type:	(22) 1" NPT
Switch Type:	SPST, 10VA
Wiring Group:	Group 1 - Common Return
Number of Levels:	2
Electrical Connection:	(1) Leadwire
Float Material:	PTFE (32 to 212)
Wire Type:	PVC Lead Wire (Lead Length: 24")
Mounting Direction:	Top Mounted
Media Type:	NaOH

Ordering Information	
Part Number:	W1063766
Lead Time:	40 Business Days
Min. Order Quantity:	5
Shipping Weight:	2.6 lbs.
Model Description:	LS-300TFE-22-1-TFE-010-1-2-T

Dimensional Specifications	
L2:	4" NC
L1:	19" NO
L0:	20.625"

