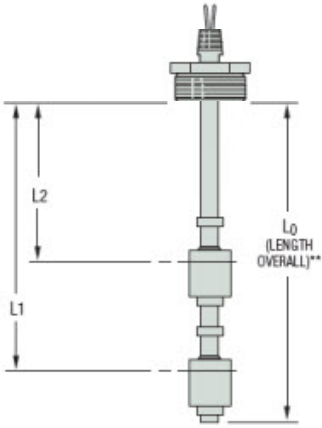


LEVEL SWITCHES

Part No. W1047813
 Unit Price
 Lead Time 15
 (Business Days)



Technical Specifications	
Specific Gravity:	0.85 and greater
Max. Pressure:	Atmospheric (15 PSI)
Operating Temp.:	0 to 125
Mounting Type:	(3) 2" NPT
Switch Type:	SPST, 100VA
Wiring Group:	Group 1 - Common Return
Number of Levels:	2
Electrical Connection:	Leadwire
Float Material:	PVC
Float Type:	PVC (16306)

Ordering Information	
Part Number:	W1047813
Lead Time:	15 Business Days
Min. Order Quantity:	1
Shipping Weight:	0.5 lbs.
Model Description:	LS800PVC-3-SPST-100-GR1-2

Dimensional Specifications	
L2:	36" NC
L1:	58" NC
L0:	60"
Lead Length:	12"

