

# FS-400 Series – General Purpose, 90° Flow Path

**Flow Rate Settings:** Fixed Version: 0.75 GPM to 10.0 GPM  
Adjustable Version: 0.75 GPM to 14.0 GPM

**Port Size:** 3/4"

**Primary Construction Material:** Bronze

**Setting Type:** Fixed or Adjustable

Provides accurate flow detection in water and oil with 1% repeatability. Flow settings on the adjustable version can be easily changed without disassembly. A shuttle bypass vane inside the housing is controlled externally using an ordinary flat-blade screwdriver. These switches are ruggedly constructed of non-corrosive materials and resist shock and vibration. Suitable for triggering alarms on interlocking shutdown circuitry when flow rate is improper to protect bearings, gears and cooling systems.

## Specification

<b>Wetted Materials</b>	
Housing	Bronze
Shuttle	Delrin®
Spring	316 Stainless Steel
O-Ring	Viton®
Other Wetted Parts	Ceramic
<b>Pressure Rating, Maximum Operating</b>	
Proof	400 PSI (27.6 bar) @ 100°F (+37.8°C)
	800 PSI (55.2 bar) @ 100°F (+37.8°C)
<b>Operating Temperature</b>	
	-20°F to +180°F (-29°C to +82.2°C)
<b>Repeatability</b>	
	1% Maximum Deviation
<b>Set Point Accuracy</b>	
	±10%
<b>Set Point Differential</b>	
	15% Maximum
<b>Switch*</b>	
	SPDT, 20 VA
<b>Inlet/Outlet Ports</b>	
	3/4" NPT
<b>Electrical Termination</b>	
	No. 18 AWG, 24" L., Polymeric Lead Wires

\* See "Electrical Data" on Page X-5 for more information.

## How To Order – Standard Models

Specify Part Number based on flow settings for the FS-400 Series, based on flow setting range for the FS-400 Adjustable version.

### FS-400 Series

NPT	Flow Setting GPM	Part Numbers
3/4"	0.75	26440 ⚡
	1.5	26441
	2.0	26442
	2.5	26443
	5.0	26444
	7.5	26445
	10.0	26446

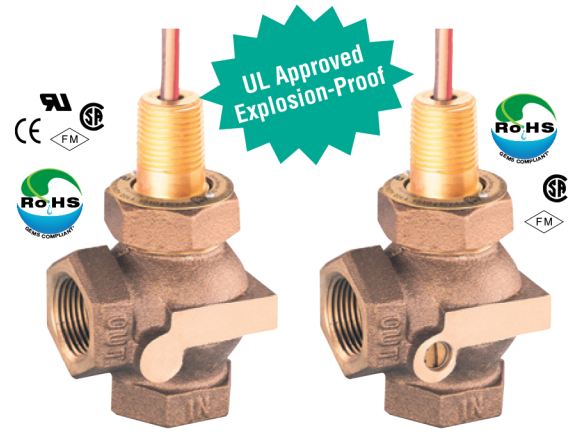
### FS-400 Adjustable

NPT	Flow Setting GPM	Part Numbers
3/4"	0.75-4.0	26600 ⚡
	2.0-8.0	26601 ⚡
	7.0-14.0	26602

#### Notes:

- Flow settings for Fixed Version are calibrated using water at +70°F on increasing flow, with units in a vertical position (lead wires up). Temperature changes will slightly affect the flow settings listed.
- Adjustable units that are set to customer specifications are subject to GEMS test stand accuracy.
- Use of 150 micron filtration is recommended.
- Minimum 5 PSI line pressure required.

⚡ – Stock Items.



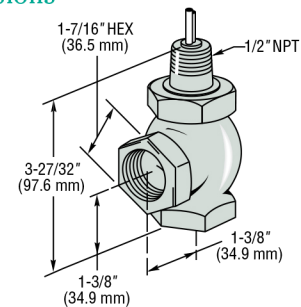
FS-400 Series

U.L. Recognized —  
File No. E31926  
CSA Listed —  
LR30200 and LR22666  
FM Approved —  
File No. 0A8A3.AE and  
1H3A2.AX

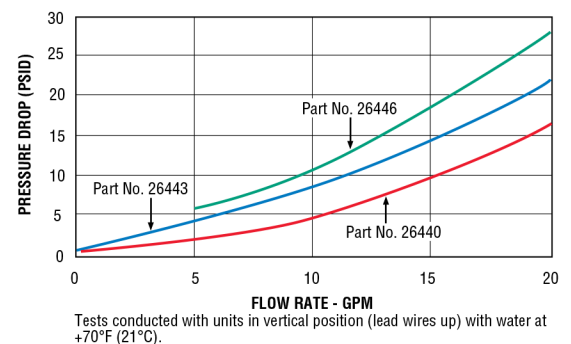
FS-400 Adjustable

CSA Listed —  
File No. LR22666  
FM Approved —  
File No. 0A8A3.AE

## Dimensions



## Pressure Drop - Typical



**FS-400 switches are U.L. Approved for Class I, Division 2, Groups A, B, C, D hazardous areas.**

Available with FM-approved, explosion-proof junction box for Class I, Division 1, Group D hazardous locations. Units must be assembled completely at GEMS. U.L. Approved — File No. E183854