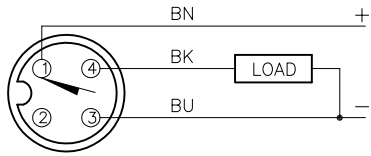


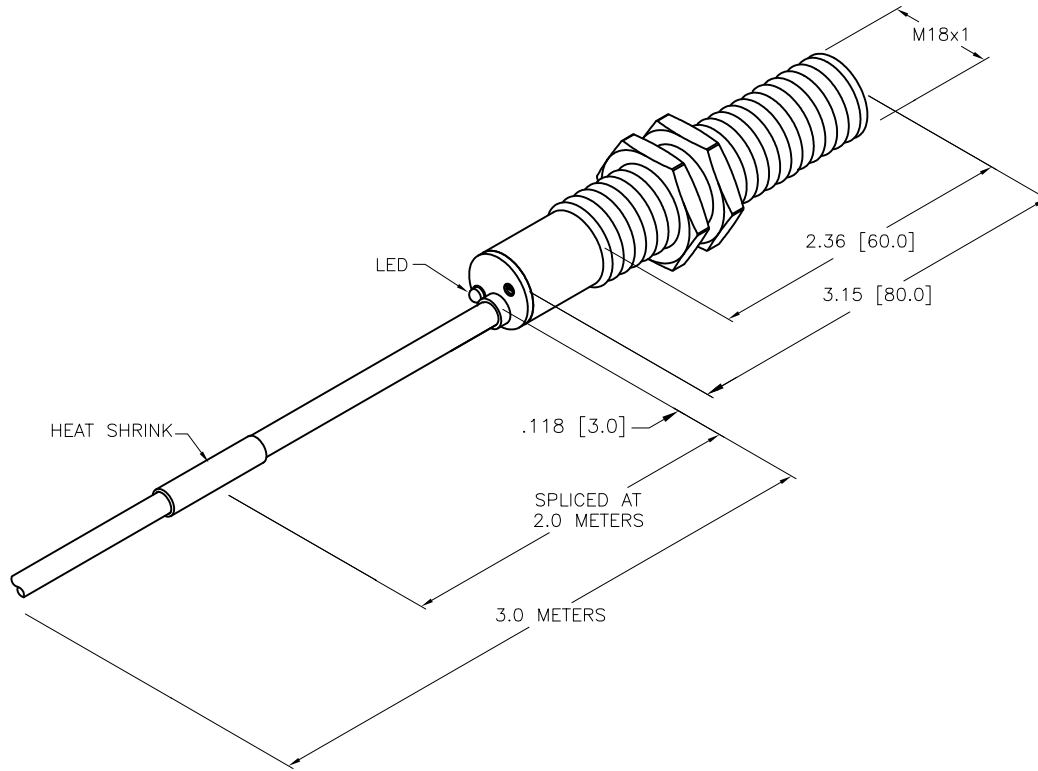
WIRING DIAGRAM



OUTPUT: AP8X

SPECIFICATIONS

AIR OPERATING RANGE	0.5-15 m/sec.
SWITCH-ON TIME	TYP. 2 s (1-20 s)
SWITCH-OFF TIME	TYP. 2 s (1-20 s)
TEMPERATURE GRADIENT	200 K/MINUTE
MEDIUM TEMPERATURE	-20° to +70°C (-4° to +158°F)
OPERATING VOLTAGE	19.2-28.8 VDC
OUTPUT	NORMALLY OPEN, PNP
RATED OPERATIONAL CURRENT	0.4 A
SHORT-CIRCUIT PROTECTION	YES
REVERSE POLARITY PROTECTION	YES
DEGREE OF PROTECTION	IP67
HOUSING MATERIAL	NICKEL-PLATED BRASS
SENSOR MATERIAL	BRASS
PRESSURE RESISTANCE	3 BAR
DISPLAY SWITCH STATUS	LED (DUAL COLOR)/ RED, GREEN



SOURCE DRAWING - FOR REFERENCE ONLY

RELATED DOCUMENTS 1. 2. 3. 4.	3RD ANGLE PROJECTION 	THIS DRAWING IS CONFIDENTIAL AND THE PROPERTY OF TURCK INC. USE OF THIS DOCUMENT WITHOUT WRITTEN PERMISSION IS PROHIBITED.		3000 CAMPUS DRIVE MINNEAPOLIS, MN 55441 1-800-544-7769 (763) 553-7300 (763) 553-0708 fax www.turck.us	
	MATERIAL	ALL DIMENSIONS DISPLAYED ON THIS DRAWING ARE FOR REFERENCE ONLY	DRFT RDS DATE 02/04/10	DESCRIPTION FCS-M18-AP8X 3M SPLICED	
FINISH	CONTACT TURCK FOR MORE INFORMATION	APVD SCALE 1=1.5	UNIT OF MEASUREMENT <b>INCH [ MILLIMETER ]</b>		REV B
B UPDATE ID NUMBER PER HARMONIZATION PROJECT REV DESCRIPTION	CBM 11/06/17 BY DATE ECO NO.	DO NOT SCALE THIS DRAWING		FILE: 6870799	SHEET 1 OF 1

B	UPDATE ID NUMBER PER HARMONIZATION PROJECT	CBM	11/06/17	
REV	DESCRIPTION	BY	DATE	ECO NO.