



ST70 / ST90 / ST123 SERIES

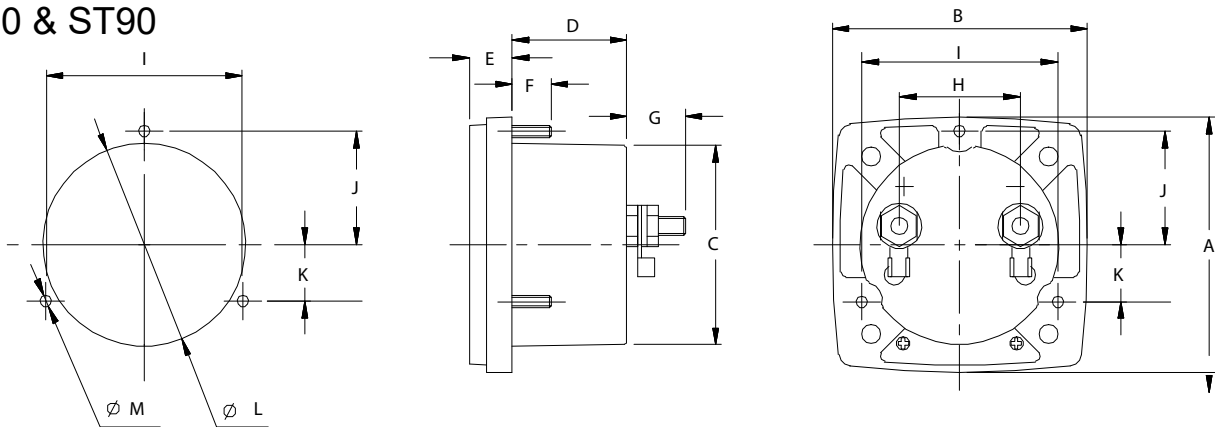
GENERAL SPECIFICATIONS - ST70 / ST90 / ST123

Size: ST70 - 2.5" Square
 ST90 - 3.5" Square
 ST123 - 4.5" Square
Accuracy: All AC & DC Iron Vane +/-2% of Full Scale
 ALL AC Rectifier Type +/-3% of Full Scale
 All Frequency Type +/-0.3HZ
Overload: ALL AC & DC Voltmeters - 50% Momentary / 20% Prolonged
 ALL AC & DC Ammeters - 50% Momentary / 20% Prolonged
 All Frequency Type - 20% Maximum
Burden: AC Ammeters - 0.5VA Maximum
Standards: ANSI C39.1
Approvals: ST70 & ST90 - (UL, cUL, CE (UL File E483274)
 ST123 - CE, UL + cUL Pending

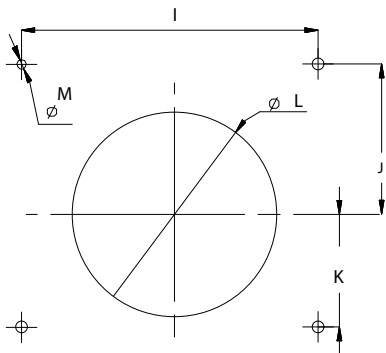


DIMENSIONS

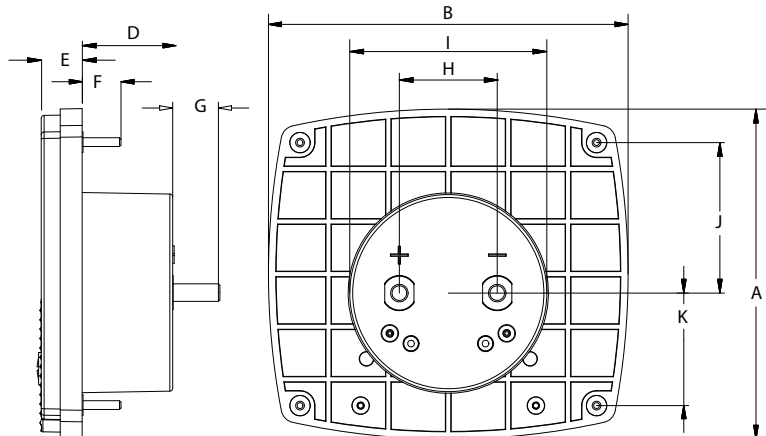
ST70 & ST90



ST123 & ST70/90 Opt 4 Stud



ST123



MODELS	A	B	C	D	E	F	G	H	I	J	K	L	M
ST70 (3 Stud)	72mm/2.83"	72mm/2.83"	54mm/2.12"	31mm/1.22"	13mm/0.5"	10.5mm/.41"	15mm/.59"	33mm/1.30"	53mm/2.08"	30.5mm/1.20"	15.5mm/0.61"	55mm/2.17"	3.5mm/0.14"
ST70 Opt 4 Stud	72mm/2.83"	72mm/2.83"	54mm/2.12"	31mm/1.22"	13mm/0.5"	10.5mm/.41"	15mm/.59"	33mm/1.30"	48mm/1.88"	24mm/0.95"	24mm/0.95"	55mm/2.17"	3.5mm/0.14"
ST90 (3 Stud)	92mm/3.6"	92mm/3.6"	68mm/2.68"	31mm/1.22"	13mm/0.5"	10.5mm/.41"	16mm/0.63"	33mm/1.30"	69.28mm/2.73"	60mm/2.36"	20mm/.79"	70mm/2.76"	3.5mm/0.14"
ST90 Opt 4 Stud	92mm/3.6"	92mm/3.6"	68mm/2.68"	31mm/1.22"	13mm/0.5"	10.5mm/.41"	16mm/0.63"	33mm/1.30"	57mm/2.25"	57mm/2.25"	20mm/.79"	70mm/2.76"	3.5mm/0.14"
ST123 (4 Stud)	123mm/4.85"	113mm/4.45"	68mm/2.68"	31mm/1.22"	18mm/0.7"	10.5mm/.41"	16mm/0.63"	33mm/1.30"	101.6mm/4.00"	52mm/2.03"	38.5mm/1.52"	70mm/2.76"	3.5mm/0.14"

POWER MEASUREMENT AND CONTROL SPECIALISTS

STANDARD PART NUMBERS

2.5" AC VOLTMETERS

Model	Input	Scale
ST70150V150V	0-150V,AC	0-150V,AC
ST70300V150V	0-300V,AC	0-300V,AC
ST70600V600V	0-600V,AC	0-600V,AC
ST70150V600V	0-150V,AC	0-600V,AC
ST70300V600V	0-300V,AC	0-600V,AC

Note: Also available in moving coil rectifier type.
Please consult factory.

2.5" DC VOLTMETERS

Model	Input	Scale
ST70DC30V30V	0-30V,DC	0-30V,DC
ST70DC50V50V	0-50V,DC	0-50V,DC
ST70DC100V100V	0-100V,DC	0-100V,DC
ST70DC150V150V	0-150V,DC	0-150V,DC
ST70DC300V300V	0-300V,DC	0-300V,DC

2.5" AC AMMETERS

Model	Input	Scale
ST705A50A	0-5A,AC	0-50A,AC
ST705A100A	0-5A,AC	0-100A,AC
ST705A150A	0-5A,AC	0-150A,AC
ST705A200A	0-5A,AC	0-200A,AC
ST705A**A	0-5A,AC	0-**A,AC

Note:**advise desired CT ratio / end scale value.

2.5" FREQUENCY METERS

Model	Input	Scale
ST70HZ55651	120V,AC	55-65HZ
ST70HZ45651	120V,AC	45-65HZ
ST70HZ45551	120V,AC	45-55HZ
ST70HZ55652	240V,AC	55-65HZ
ST70HZ45652	240V,AC	45-65HZ
ST70HZ45552	240V,AC	45-55HZ

2.5" DC INDICATORS

Model	Input	Scale
ST70DC50mV/**	0-50mV,DC	0-**
ST70DC1mA/**	0-1mA,DC	0-**
ST70DC420mA/**	4-20mA,DC	0-**
ST70DC***V/**	0-***V,DC	0-**

Note:**=advise end scale value and caption
Note:***=advise end scale voltage input.

3.5" AC VOLTMETERS

Model	Input	Scale
ST90150V150V	0-150V,AC	0-150V,AC
ST90300V300V	0-300V,AC	0-300V,AC
ST90600V600V	0-600V,AC	0-600V,AC
ST90150V600V	0-150V,AC	0-600V,AC
ST90300V600V	0-300V,AC	0-600V,AC

Note: Also available in moving coil rectifier type.
Please consult factory.

3.5" DC VOLTMETERS

Model	Input	Scale
ST90DC30V30V	0-30V,DC	0-30V,DC
ST90DC50V50V	0-50V,DC	0-50V,DC
ST90DC100V100V	0-100V,DC	0-100V,DC
ST90DC150V150V	0-150V,DC	0-150V,DC
ST90DC300V300V	0-300V,DC	0-300V,DC

3.5" AC AMMETERS

Model	Input	Scale
ST905A50A	0-5A,AC	0-50A,AC
ST905A100A	0-5A,AC	0-100A,AC
ST905A150A	0-5A,AC	0-150A,AC
ST905A200A	0-5A,AC	0-200A,AC
ST905A**A	0-5A,AC	0-**A,AC

Note:**advise desired CT ratio / end scale value.

3.5" FREQUENCY METERS

Model	Input	Scale
ST90HZ55651	120V,AC	55-65HZ
ST90HZ45651	120V,AC	45-65HZ
ST90HZ45551	120V,AC	45-55HZ
ST90HZ55652	240V,AC	55-65HZ
ST90HZ45652	240V,AC	45-65HZ
ST90HZ45552	240V,AC	45-55HZ

3.5" DC INDICATORS

Model	Input	Scale
ST90DC50mV/**	0-50mV,DC	0-**
ST90DC1mA/**	0-1mA,DC	0-**
ST90DC420mA/**	4-20mA,DC	0-**
ST90DC***V/**	0-***V,DC	0-**

Note:**=advise end scale value and caption
Note:***=advise end scale voltage input.

4.5" AC VOLTMETERS

Model	Input	Scale
ST123150V150V	0-150V,AC	0-150V,AC
ST123300V300V	0-300V,AC	0-300V,AC
ST123600V600V	0-600V,AC	0-600V,AC
ST123150V600V	0-150V,AC	0-600V,AC
ST123300V600V	0-300V,AC	0-600V,AC

Note: Also available in moving coil rectifier type.
Please consult factory.

4.5" DC VOLTMETERS

Model	Input	Scale
ST123DC30V30V	0-30V,DC	0-30V,DC
ST123DC50V50V	0-50V,DC	0-50V,DC
ST123DC100V100V	0-100V,DC	0-100V,DC
ST123DC150V150V	0-150V,DC	0-150V,DC
ST123DC300V300V	0-300V,DC	0-300V,DC

4.5" AC AMMETERS

Model	Input	Scale
ST1235A50A	0-5A,AC	0-50A,AC
ST1235A100A	0-5A,AC	0-100A,AC
ST1235A150A	0-5A,AC	0-150A,AC
ST1235A200A	0-5A,AC	0-200A,AC
ST1235A*A	0-5A,AC	0-**A,AC

Note:**advise desired CT ratio / end scale value.

4.5" FREQUENCY METERS

Model	Input	Scale
ST123HZ55651	120V,AC	55-65HZ
ST123HZ45651	120V,AC	45-65HZ
ST123HZ45551	120V,AC	45-55HZ
ST123HZ55652	240V,AC	55-65HZ
ST123HZ45652	240V,AC	45-65HZ
ST123HZ45552	240V,AC	45-55HZ

4.5" DC INDICATORS

Model	Input	Scale
ST123DC50mV/*	0-50mV,DC	0-**
ST123DC1mA/**	0-1mA,DC	0-**
ST123DC420mA/*	4-20mA,DC	0-**
ST123DC***V/**	0-***V,DC	0-**

Note:**=advise end scale value and caption
Note:***=advise end scale voltage input.

AVAILABLE OPTIONS

Panel Gaskets, NEMA4, Rectifier Movements (25-1000HZ), Improved Accuracy, Colored Dials, Custom Artwork, Customer Logo, ect...

SPECIFICATION

PC&S believes in continuous product development and reserves the right to modify and alter the specifications contained in this brochure as required, and without notice.
WARRANTY

PC&S, at its sole discretion, agrees to repair, or replace, or refund the purchase price of the product contained herein that are found to be defective in material or workmanship, or do not conform to specifications, if written notice is received by PC&S within 1 year from date of shipment. PC&S assumes no liability, expressed or implied beyond the obligation to repair, replace, or refund the purchase price of the defective material.



Power Measurement Specialists

1-800-523-9194

149 Main St. • Stanhope, New Jersey 07874 • Phone (973) 448-9400 • Fax (973) 448-1674 • Web Site: www.pc-s.com