

Mini-Siphon Type 910.24

WIKA Datasheet 910.24

Applications

- Siphon for steam, hot vapors and liquids
- Stainless steel version for corrosive media and corrosive ambient conditions
- Process industry: mechanical engineering, plant construction, chemical/petro-chemical, power stations, and environmental technology



Mini-Siphon Type 910.24

Description

The WIKA mini-siphon is designed specifically to replace the old pigtail and coil siphon. The mini-siphon has a thermal barrier which protects the pressure gauge from harmful steam, hot vapors and liquids, and contains a unique inner chamber that reduces pressure surges and “water hammer”. The mini-siphon also eliminates gauge whip and vibration that is typically found on traditional siphons by mounting the gauge closer to the process. When the mini-siphon is first installed, it is recommended to be filled with water or any other suitable separating liquid.

Standard Features

Materials:

Body: 316Ti SS (1.4571)

Internal chamber: 316Ti SS (1.4571)

Mounting position

Vertical or horizontal

Connection

½” NPT male to ½” NPT female

Flow

Male to female connection

Inlet Orifice

0.1575” (4mm)

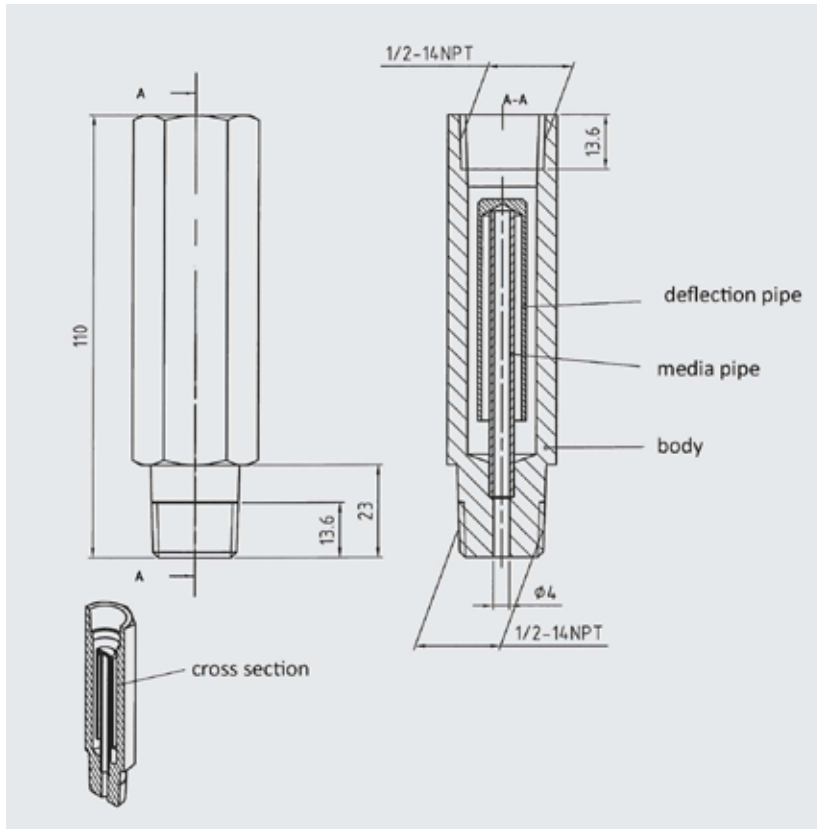
Maximum working pressure and temperature

See graph on page 2

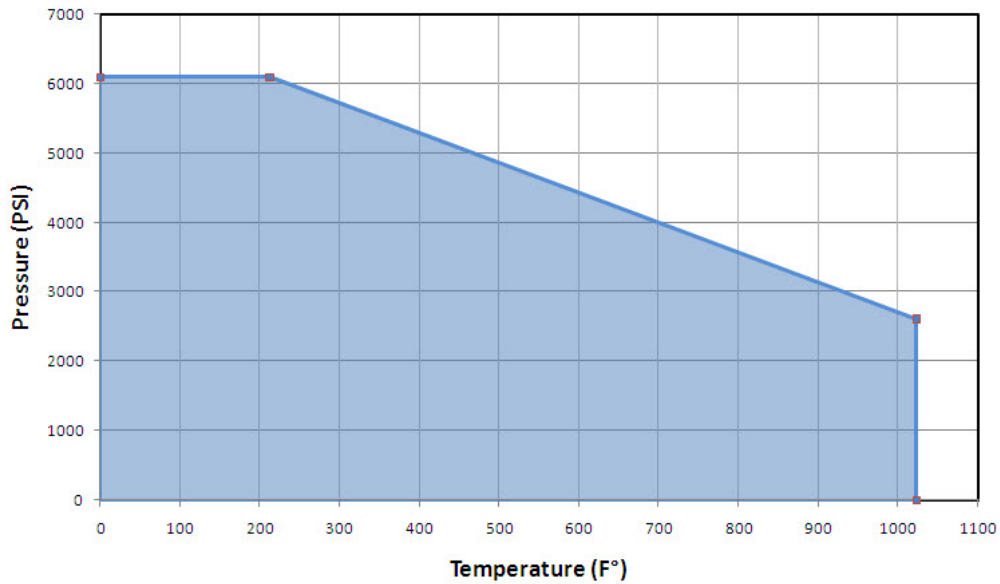
Options (by special order):

- Other thread connections: ¼” NPT, G1/4B and G1/2B
- Other materials: Monel 400, Hastelloy C276, Titanium, and Duplex.
- Material certificate (3.1 acc. to EN 10 204)
- NACE certificate (2.2 acc. to EN 10 204)
- Oxygen service (oil and grease free)

Units shown in millimeters (mm)



Working Pressure and Temperature Graph



NOTE: Graph only shows working pressure and temperature of mini-siphon. Graph does not show temperature reduction to gauge.



WIKA Instrument Corporation
1000 Wiegand Boulevard
Lawrenceville, GA 30043-5868
Tel: 888-WIKA-USA • 770-513-8200
Fax: 770-338-5118
E-Mail: info@wika.com
www.wika.com