

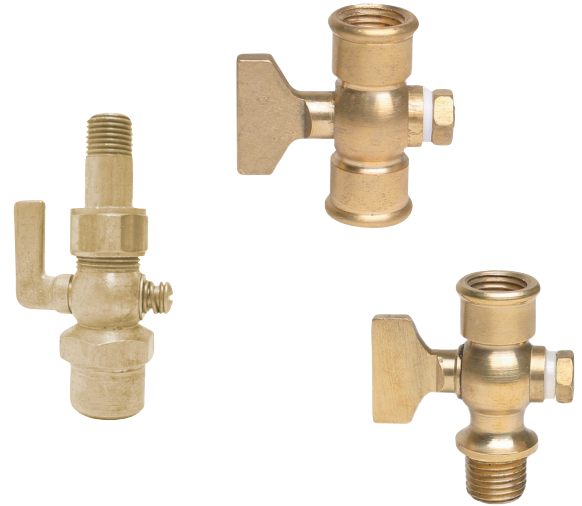
# Gauge Cocks Types 910.10

WIKA Datasheet 910.10

## Applications

Gauge Cocks provide an economical way to shut off the flow of air to the pressure instrument, thereby allowing the instrument to be isolated from the pressure media or removed from service. WIKA Gauge Cocks are constructed from brass and are intended for use on air lines where leakage is not of concern.

NOTE: In applications where process media leakage may result in possible personal injury or property damage, gauge cocks should not be specified as they contain no packing gland and leakage may result. For tight shut-off and prevention of leakage, use of a WIKA Needle Valve is required.



## Maximum pressure rating

200 psi

## Operating temperature

Media:	max. +140°F (93°C)
	min. 0°F (-18°C)
Ambient:	max. +140°F (93°C)
	min. 0°F (-18°C)

## Standard Features

### Valve Body Material

Brass

### Valve Stem Material

Brass

### Valve Handle Material

Brass - available with "T" or lever type handle

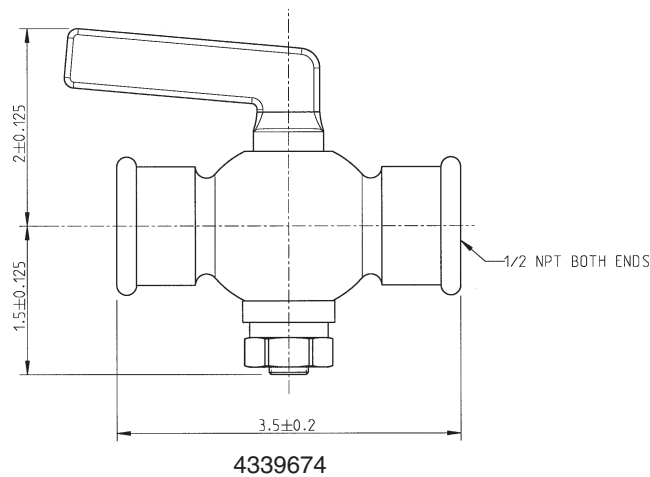
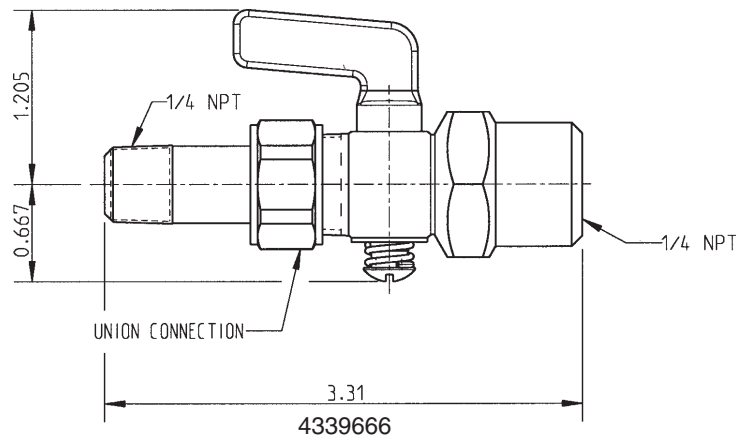
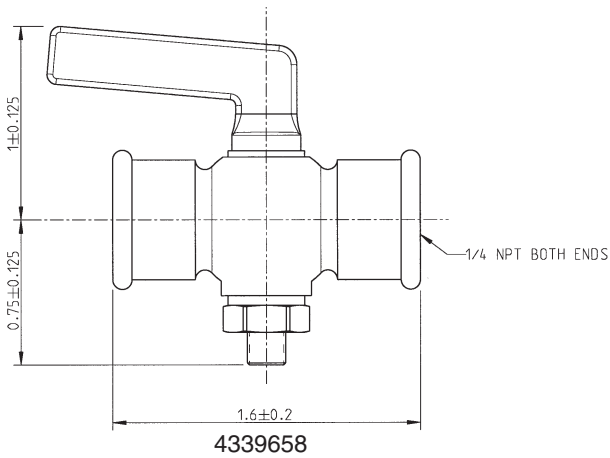
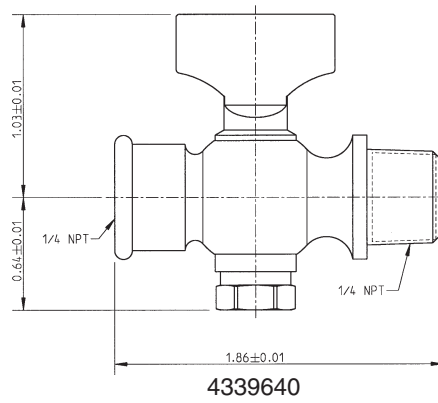
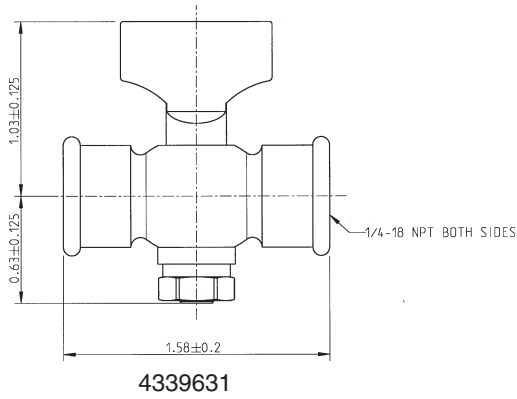
### Stem Seal Material

None

## Standard Threaded Connection Size

1/4" NPT FxF ("T" Handle)  
 1/4" NPT FxM ("T" Handle)  
 1/4" NPT FxF ("Lever" Handle)  
 1/2" NPT FxF ("Lever" Handle)  
 1/2" NPT FxM ("Lever" Handle)

## Dimensions



### Ordering information

Pressure gauge model / Nominal size / Scale range / Size of connection / Optional extras required  
 Specifications and dimensions given in this leaflet represent the state of engineering at the time of printing.  
 Modifications may take place and materials specified may be replaced by others without prior notice.



**WIKAI Instrument Corporation**  
 1000 Wiegand Boulevard  
 Lawrenceville, GA 30043  
 Tel (770) 513-8200 Toll-free 1-888-WIKA-USA  
 Fax (770) 338-5118  
 E-Mail info@wika.com  
 www.wika.com