



## Service Parts & Dimensions

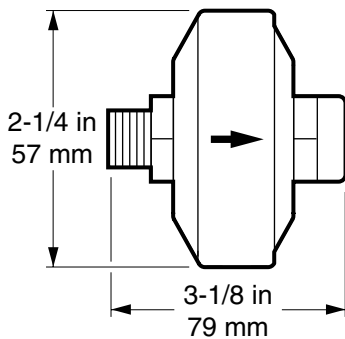
6000-2.00

Effective: February, 1998 (replaces April, 1993)

# 2 SCFM Disposable Aerosol Strainer

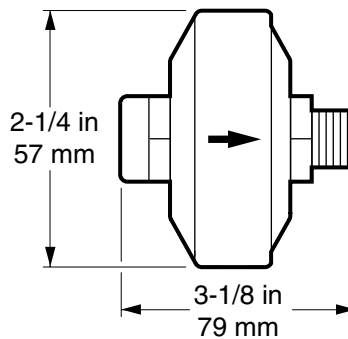
These low-cost, easily replaceable aerosol filters are designed specifically for low volume air discharge applications. Uses include airguns for parts cleanup in production areas, and for various pneumatic instrumentation components.

The disposable strainer has a maximum flow rate of 2 SCFM. It provides absolute filtration down to 0.3 micron (micrometre). When expended, simply dispose of the unit and install a new replacement.

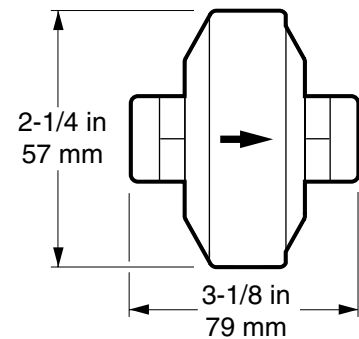


**Note:**  
Arrow indicates  
direction of flow.

**2201-14-12-1**  
1/4" NPT – M to F



**2201-32-12-1**  
1/4" NPT – F to M



**2201-34-12-1**  
1/4" NPT – F to F

**Model Numbers:**  
above

**Rated Flow :**  
2 SCFM @ 100 psig  
L/min @ 7 kg/cm<sup>2</sup>  
3 m<sup>3</sup>/hr @ 7 bar

**Connections:**  
1/4" NPT

**Maximum Pressure :**  
125 psig maximum

**Temperature Rating :**  
200°F/93°C

**Physical Data :**  
Housing - Steel  
Weight - 1 lb.

**Discontinued Part Numbers :**  
2201-12-12-1, 1/4" M to 1/4" M