

Pressure

Sealed Piston

Series 9048

Features

- ▶ High reliability
- ▶ Extremely long life
- ▶ Oil & dust tight
- ▶ Easy setpoint adjustment
- ▶ High proof pressure
- ▶ Rugged design

Applications

- ▶ Machine tools
- ▶ Hydraulic presses
- ▶ Compactors
- ▶ Hydraulic power units
- ▶ Compressors

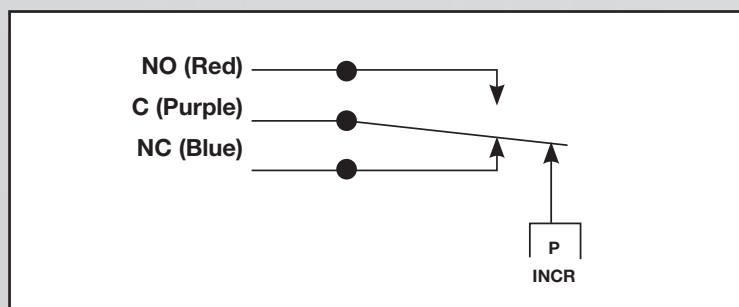


General Specifications*

Electrical Characteristics:	All models incorporate Underwriters Laboratories, Inc. and CSA Listed single pole double throw snap-action switching elements
Accuracy:	± 2% of the adjustable range
Switch: Type: Rating:	Single pole double throw (SPDT) snap action; single circuit 10 Amps @ 125, 250, or 480 VAC; 0.03 Amps @ 250 VDC (Class B limit switch)
Wetted Parts: Process Fitting: O-ring: Piston: Enclosure:	416 series stainless steel Buna N 440 stainless steel Anodized aluminum
Electrical Connection:	Through 1/2" NPS conduit connection to screw terminals
Enclosure Ratings:	NEMA 13
Pressure Connection:	1/4"-18 NPT Female
Approvals: UL/CSA (Optional):	UL File E42816 Class 3231 02, File No. 022355-0-000 CSA File No. 022355-0-000

Temperature Range: Operating: Storage:	-40° to +165°F (-40° to +74°C) -40° to +200 °F (-40° to +93°C)
Adjustment Instructions:	Loosen setscrew with a #10 allen wrench. With screwdriver, turn adjustment screw clockwise to increase and counterclockwise to decrease the actuation point. Tighten setscrew after desired setting is reached.
Options:	-UL/CSA approval (maximum allowable voltage 300 VAC) -Factory Pre-set -Cleaned for oxygen service -CSA Approval
Shipping Weight:	9048 Series: 2.5 lbs. approximate

Wiring Diagram



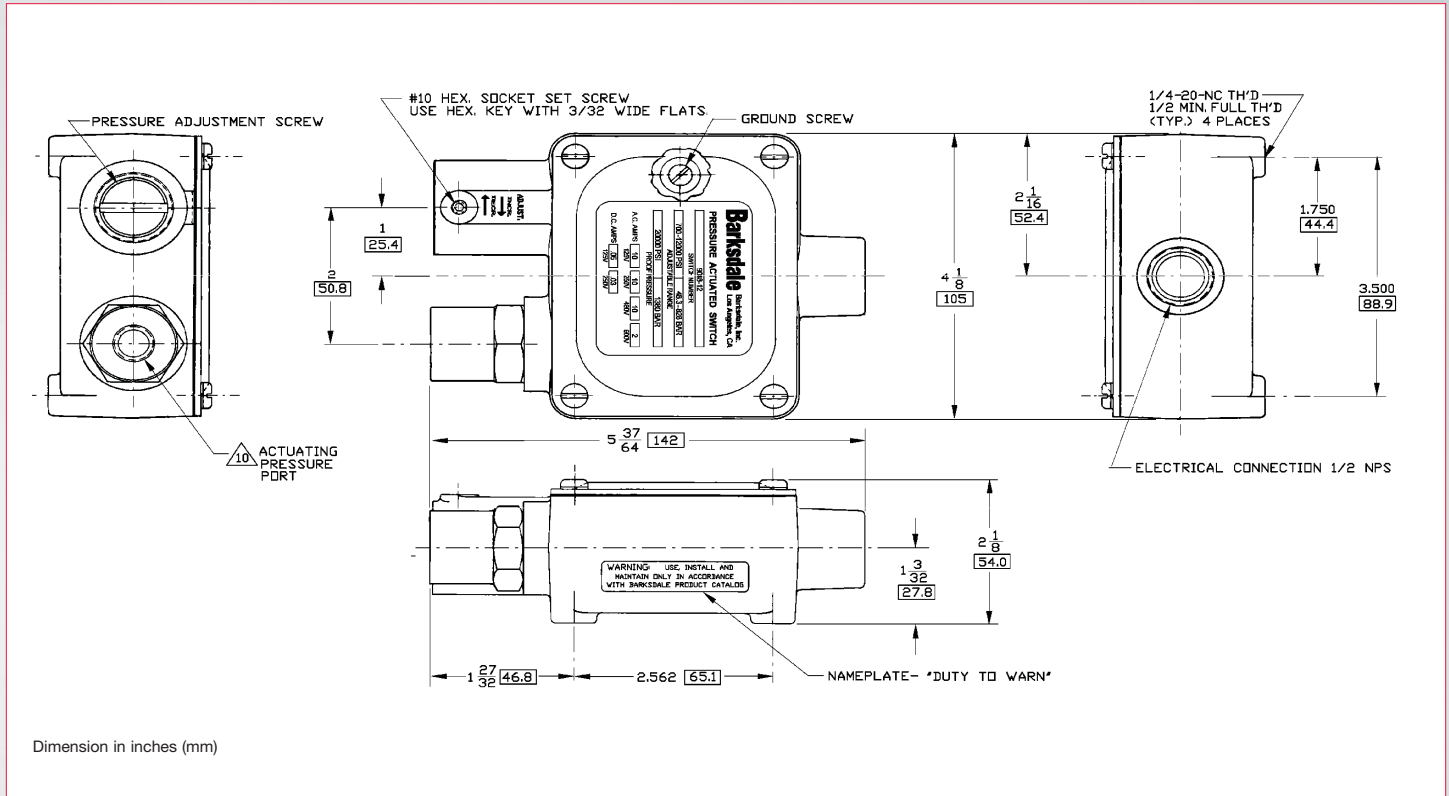
* See product configurator for additional options.

Pressure

Sealed Piston

Series 9048

Technical Drawing



Product Configurator

Example	9048	-3		
---------	------	----	--	--

Basic Configuration

9048 Base part number

Options

-CS	CSA Certification
-Z1	Cleaned for oxygen service
-Sxxx	Factory pre-set (consult factory)

Pressure Range

	Adjustable Range				Approx. Deadband (Actuation Value) psi (bar)	Proof Pressure psi (bar)
	Decreasing - psi (bar)		Increasing - psi (bar)			
	Min	Max	Min	Max		
-1	35 (2.4)	235 (16.0)	40 (2.7)	250 (17.2)	5 - 30 (.3 - 2.1)	4500 (310)
-2	50 (3.4)	460 (31.2)	60 (4.1)	500 (34.5)	10 - 50 (.7 - 3.4)	6000 (414)
-3	100 (6.8)	1425 (96.9)	115 (7.8)	1500 (103)	15 - 110 (1.0 - 7.6)	7500 (517)
-4	200 (13.6)	2825 (192)	240 (16.3)	3000 (207)	40 - 250 (2.7 - 17.2)	10000 (690)
-5	350 (23.8)	4650 (316)	395 (26.9)	5000 (345)	45 - 350 (3.1 - 23.8)	10000 (690)
-6	700 (47.6)	9450 (643)	815 (55.4)	10000 (690)	115 - 550 (7.8 - 37.4)	15000 (1035)
-12	700 (47.6)	11250 (765)	815 (55.4)	12000 (828)	115 - 750 (7.8 - 51.0)	20000 (1380)

O-Ring

Blank	Buna-N (standard)
-E	EPR
-V	Viton®