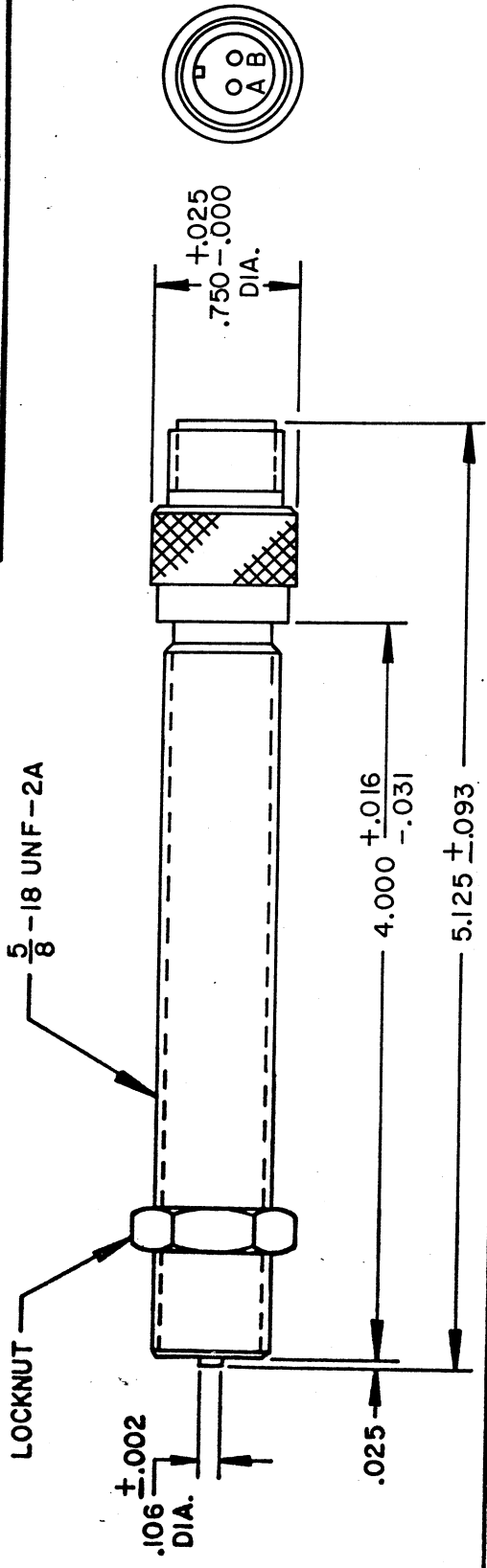


REVISIONS	
LTR	DESCRIPTION
DATE	APPD



TEMPERATURE RANGE	OUTPUT VOLTAGE PEAK TO PEAK	DC RESISTANCE OHMS	INDUCTANCE MILLIHENRY	OUTPUT CONNECTOR	INSULATION RESISTANCE	NET WEIGHT
-65° F TO +225° F	160-240 VOLTS (SEE NOTE 1)	1000-1300 AT 75° F	360 NOM.	MATES WITH MS3106A - IOSL-4S (SEE NOTE 2)	100 MEGOHMS MIN. AT 500 VDC, COIL TO HOUSING	OZ. AVG.

NOTES:

- TESTED AT 1000 INCHES/SECOND WITH A 20 PITCH, 30 TOOTH GEAR, 0.005" CLEARANCE AND 100,000 OHM LOAD SHUNTED BY 250 MMF.
- WITH APPROACH OF FERROUS METAL, PIN "B" IS POSITIVE WITH RESPECT TO PIN "A".

CONSTRUCTION:

HOUSING - 303 STAINLESS STEEL
POLE PIECE - 416 STAINLESS STEEL
POTTING - EPOXY RESIN

UNLESS OTHERWISE SPECIFIED
DIMENSIONS ARE IN INCHES
TOLERANCES ARE

FRACT.	DEC.	ANGLES
±1/64	.XXX ±.005	±1/2°
	.XX ±.01	

MATERIAL:

DYNALCO® CORPORATION
FORT LAUDERDALE, FLORIDA

DRAWN Ralph D.
APPROVED *L. O. [Signature]*

DATE 4-6-78
4/10/78

TITLE

MAGNETIC PICKUP MODEL MI33

SCALE —
SIZE A
DRAWING NUMBER 8000133

FINISH:

DO NOT SCALE THIS DRAWING

REV.