

FLEXEDGE

I/O MODULES



▲ FLEXEDGE™ Intelligent Edge Automation Platform

MASSIVELY SCALABLE. EFFORTLESSLY DEPLOYABLE.

Easily add modules to a FlexEdge(tm) DA70 controller to monitor and control any application. With modules available in variety of data acquisition and PID control configurations, the FlexEdge Intelligent Edge Automation Platform provides a scalable solution to integrate complex multi-vendor environments into digital transformation strategies, while providing a futureproof solution for changing application needs.

APPLICATIONS

- ▲ Factory Automation
- ▲ Oil & Gas
- ▲ Power & Utilities
- ▲ Water/Wastewater
- ▲ Maritime
- ▲ Industrial Internet of Things (IIoT)

PRODUCT HIGHLIGHTS

- ▲ Field Installable
- ▲ Industrial Rated for Hazardous Locations
- ▲ Wide Operating Temperature Range
- ▲ Zero Config Hot-Swap Replacement
- ▲ UL Class 1, Division 2 and ATEX/IECEX Certifications

FEATURES & BENEFITS

REDUCED DOWNTIME

- ▲ On-device wiring diagrams and removable wire clamp screw terminal blocks ease installation
- ▲ Hot-swappable I/O module's configuration is restored by the controller upon reconnect, eliminating reprogramming on replacement
- ▲ At-a-glance module status indicator and individual channel LEDs accelerate troubleshooting and system testing

BUILT FOR INDUSTRIAL APPLICATIONS

- ▲ With a wide operating temperature range, I/O modules are designed to thrive in harsh environments
- ▲ Model-specific certifications assure operation in potentially hazardous environments

6UIN Module

The 6UIN I/O module features 6 Universal Analog Inputs operating at 16-bit resolution, which makes it an ideal choice for data acquisition applications. The module can accept a wide range of thermocouples and RTDs, as well as 0/4-20 mA and 0-10 V process signals. Each input has a dedicated alarm LED that indicates a variety of conditions.

FEATURES

- ▲ Six (6) Universal Analog Inputs
- ▲ Universal Inputs Accept TC, RTD, 0-5 V, 0-10 V, 0-20 mA, 4-20 mA, 0-50 mV Signals
- ▲ Offers Complete Isolation; Inputs, Power, and Communication
- ▲ At-a-Glance Module Status Indicator
- ▲ Individual Channel LEDs for Troubleshooting and Testing
- ▲ Hot Swappable with Zero Configuration
- ▲ UL Class 1, Division II and ATEX/IECEX

ORDERING GUIDE

| Part Number | Description |
|----------------------|------------------------------------|
| DA-M00-I0UIN6-I0-000 | 6 Isolated Universal Analog Inputs |



8AO Module

The 8AO I/O module offers 8 analog outputs and is designed for use with DA70 controllers. The module provides eight isolated outputs that are independently programmable for output ranges of 0-5 V, 0-10 V, +/-10 V, 0-20 mA, or 4-20 mA. Internal scaling is provided to accommodate virtually any application.

FEATURES

- ▲ Outputs include: 0-5 VDC, 0-10 VDC, ±10 VDC, and 0/4-20 mA DC
- ▲ Offers Complete Isolation; Inputs, Power, and Communication
- ▲ On-device Wiring Diagram
- ▲ At-a-Glance Module Status Indicator
- ▲ Outputs are Software Configured and Fully Scalable
- ▲ Individual Channel LEDs for Troubleshooting and Testing
- ▲ Hot Swappable with Zero Configuration
- ▲ UL Class 1, Division II and ATEX/IECEX

ORDERING GUIDE

| Part Number | Description |
|----------------------|------------------|
| DA-M00-I0OUT8-I0-000 | 8 Analog Outputs |



8 Channel DI/RO Module

The 8DI/8RO module is designed for use with the FlexEdge DA70 controller, and features 8 Digital Inputs and 8 Relay Outputs that can be used to monitor contact or sensor inputs and actuate relays, solenoids, PLC inputs, etc.

The Digital Inputs accept DC inputs or contact closures and are software configured for Sink or source signals. Each input also offers its own selectable input filter, as well as high or low-active input setting.

FEATURES

- ▲ Eight (8) DC Voltage Inputs, Eight (8) Form A Relay Outputs
- ▲ Inputs Isolated from Outputs
- ▲ At-a-Glance Module Status Indicator
- ▲ On-device Wiring Diagram
- ▲ Hot Swappable with Zero Configuration
- ▲ UL Class 1, Division II Certification

ORDERING GUIDE

| Part Number | Description |
|----------------------|---|
| DA-M00-IODIOR-00-000 | 8 Digital Inputs, 8 Digital Relay Outputs |



8 Channel DI/DO Module

The 8DI/8DO module is designed for use with the FlexEdge DA70 controller, and features 8 Digital Inputs and 8 SSR Outputs. The module is an ideal choice for monitoring contact or sensor inputs and actuate relays, solenoids, PLC inputs, etc.

The Digital Inputs accept DC inputs or contact closures and are software configured for Sink or source signals. Each input also offers its own selectable input filter, as well as high or low-active input setting. The Digital Outputs are capable of switching up to one amp each.

FEATURES

- ▲ 8 Digital Inputs and 8 SSR Outputs
- ▲ Inputs Feature Individual Sink/Source Configuration
- ▲ Outputs are Sinking with Max of 1A per Channel
- ▲ Offers Complete Isolation; Inputs, Outputs, Power, and Communication
- ▲ Hot Swappable with Zero Configuration
- ▲ UL Class 1, Division II Certification and ATEX/IECEX approvals

ORDERING GUIDE

| Part Number | Description |
|-----------------------|-------------------------------------|
| DA-M00-IO-DI00-00-000 | 8 Digital Inputs, 8 Digital Outputs |



CERTIFICATIONS & COMPLIANCES

*Please refer to individual I/O Module installation guides for agency certifications.
 CE Approved
 EN 61326-1 Immunity to Industrial Locations
 Emission CISPR 11 Class A
 IEC/EN 61010-1
 RoHS Compliant

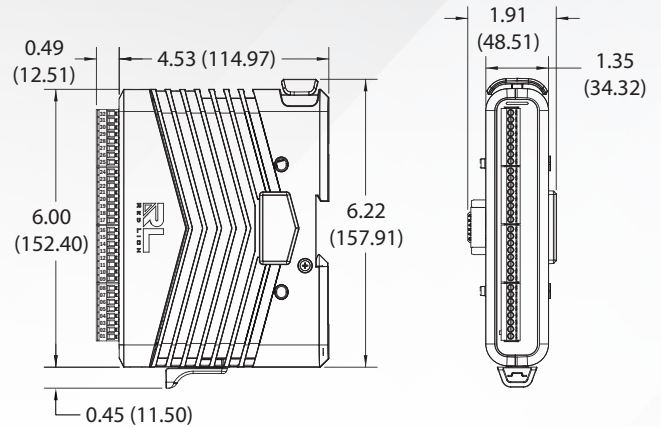
ENVIRONMENTAL

Operating Temperature Range: -40 to 75 °C
 Storage Temperature Range: -40 to 80 °C
 Vibration to IEC 60068-2-6: Operational 5-500 Hz, 2 g
 Shock to IEC 60068-2-27: Operational 15 g
 Operating and Storage Humidity: 0 to 95% max. RH noncondensing
 Altitude: Up to 2000 meters

WARRANTY

3 years on design and manufacturing defects
 Specifications are subject to change. Visit www.redlion.net for more information

DIMENSIONS In inches (mm)



ORDERING GUIDE

| Type | Part Number | Description |
|--------|-----------------------|---|
| Module | DA-M00-IOUIN6-IO-000 | 6 Isolated Universal Analog Inputs |
| Module | DA-M00-IOOUT8-IO-000 | 8 Analog Outputs |
| Module | DA-M00-IODIOR-00-000 | 8 Digital Inputs, 8 Digital Relay Outputs |
| Module | DA-M00-IO-DI00-00-000 | 8 Digital Inputs, 8 Digital Outputs |



+1 (717) 767-6511

As global experts in communication, monitoring and control for industrial automation and networking, Red Lion has been delivering innovative solutions for over forty years. Our automation, Ethernet and cellular M2M technology enables companies worldwide to gain real-time data visibility that drives productivity. Product brands include Red Lion, N-Tron and Sixnet. With headquarters in York, Pennsylvania, the company has offices across the Americas, Asia-Pacific and Europe. Red Lion is part of Spectris plc, the productivity-enhancing instrumentation and controls company. For more information, please visit www.redlion.net. ADLD0497 030320 © 2020 Red Lion Controls, Inc. All rights reserved. Red Lion, the Red Lion logo, N-Tron and Sixnet are registered trademarks of Red Lion Controls, Inc. All other company and product names are trademarks of their respective owners.

AMERICAS
 SALES@REDLION.NET

ASIA-PACIFIC
 ASIA@REDLION.NET

EUROPE, MIDDLE EAST, AFRICA
 EUROPE@REDLION.NET