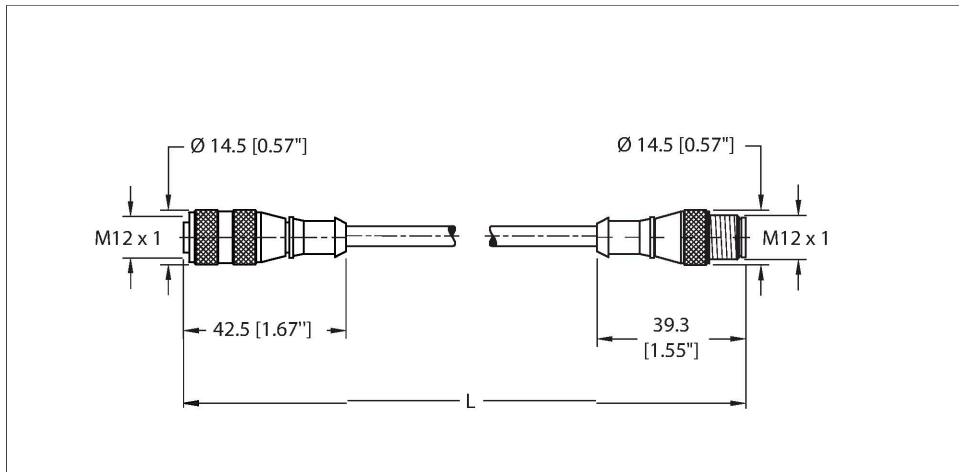


RK 4.6T-x-RS 4.6T

Actuator and Sensor Cable – Extension Cable



Technical data

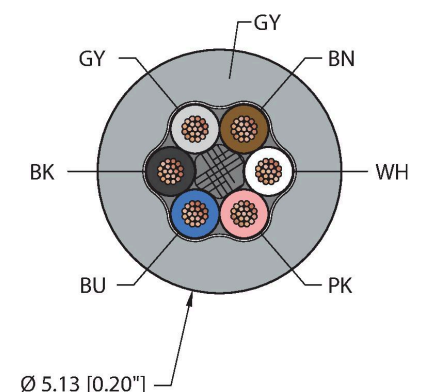
Type	RK 4.6T-x-RS 4.6T
Ident. no.	777000633
Connector A	Female, M12 × 1, Straight, A-code
Design specification	Acc. to IEC 61076-2-101
Number of contacts	6
Contacts	Bronze, CuSn, Gold-plated
Contact carriers	Plastic, TPU, Black
Connector body	Plastic, TPU, Yellow
Coupling nut	Brass, CuZn, Nickel-plated
Connector seal	O-ring, Plastic, FKM/FPM
Mechanical life	> 100 Mating cycles
Pollution degree	3
Protection class	When coupled - IP68, IP69K NEMA: 1, 3, 4, 6P
Tightening torque (range)	0.8 ... 1.8 Nm (note max. torque of mating connector!)
Connector B	Male, M12 × 1, Straight, A-code
Design specification	Acc. to IEC 61076-2-101
Number of contacts	6
Contacts	Bronze, CuZn, Gold-plated
Contact carriers	Plastic, PA, Yellow
Connector body	Plastic, TPU, Yellow
Coupling nut	Brass, CuZn, Nickel-plated
Mechanical lifespan	> 100 Mating cycles

Features



- M12, Female, Straight, 6-pin
- M12, Male, Straight, 6-pin
- IP68, IP69K
- General Purpose Cable
- Gray PVC jacket, 6X24 AWG
- -40 Cold Bend Rating
- Flame Ratings: UL1061, CSA FT1

Cable cross section



RK 4.6T-x-RS 4.6T | 10/09/2019 02-04 | technical changes reserved

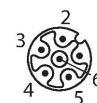
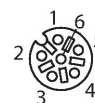
Technical data

Pollution degree	3
Protection class	When coupled - IP68, IP69K NEMA: 1, 3, 4, 6P
Tightening torque	0.8 ... 1.8 Nm (note max. torque of mating connector!)
Cable data	
Cable ID	RF50608
Total number of conductors	6
Cable diameter	Ø 5.13 mm
Cable jacket	PVC, Gray
Conductor diameter	0.044 "
Conductor material	TC (Tinned Copper)
Conductor insulation material	PVC
Conductor size	6 x 24 AWG [Similar to 0.25 mm ²]
Number of strands x O.D.	19 x 36 AWG
Conductor colors	BN, WH, BU, BK, GY, PK
Electrical properties at +20 °C	
Rated voltage	75 V
Current	4 A
Mechanical and chemical properties	
Bending radius (static)	≥ 5 x Ø
Bending radius (dynamic)	≥ 10 x Ø
Cold bend rating	-40 °C
Temperature range (static)	-40 °C...+105 °C
Temperature range (dynamic)	-40 °C...+105 °C
Temperature range (installation)	-20 °C...+105 °C
Approval	
Approvals	UL 2238 CSA C22.2 No. 182.3 CE RoHS
Note	
- Flex ratings may be reduced if used in extreme temperatures, exposure to certain chemicals, operating above the rated cycle speed, or operating below the rated cable bend radius.	
- We reserve the right to make technical alterations without prior notice.	

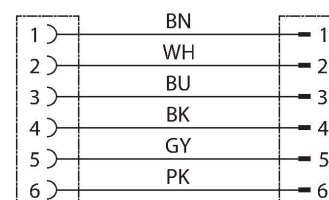
Contact assignment

Connector A

Connector B



Diagram



Accessories

TORQUE-WRENCH-SET-M12-LEGACY**A900153**

Torque wrench set; grip with adjustable torque 0.4 to 1.0 Nm; torque wrench set, fork wrench for M12