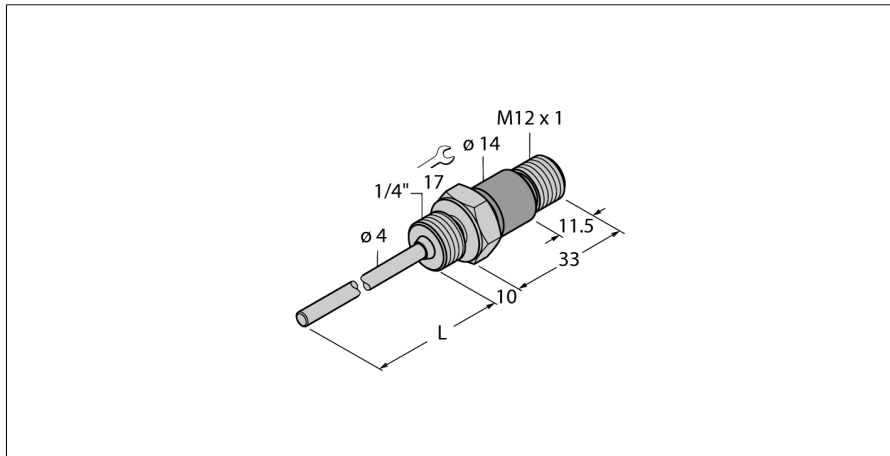
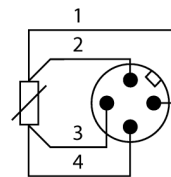


# Temperature measurement Probe TP-104A-G1/4-H1141-L035



- Pt-100 probe acc. to DIN EN 60751
- Vibration and shock-resistant
- Connectable to TS, TTM, IM34, BL20, BL67
- Max. temperature connector: 90 °C
- 4-wire connection technology
- Process connection G1/4" male thread
- Electrical connection rotatable by 360°

### Wiring Diagram



### General description

Resistance thermometers are used for the detection and monitoring of temperatures to optimize and control a process.

Typical applications are in machine and plant construction as well as in the process industry.

The core element of the temperature probe is a temperature-dependent resistor.

<b>Type designation</b>	TP-104A-G1/4-H1141-L035
Ident-No.	9910527
<b>Temperature range</b>	
Measuring range	-40...120 °C
Temperature operating range	-40...248 °F
Accuracy	0.15 °C + 0.002 ·  t  (-30 ...350 °C)
Self-heating	0.4 K/mW bei 0°C
Measuring element	Pt-100 probe, DIN EN 60751, class A
Response time	t 0.5 = 3 s / t 0.9 = 10 s in water at 0.2 m/s
Immersion depth (L)	35 mm
<b>Protection type and class</b>	
	IP67
<b>Ambient conditions</b>	
Ambient temperature	-40...+120 °C
Storage temperature	-50...+105 °C
<b>Housing</b>	
Housing material	Stainless steel, 1.4404 (316L)
Sensor material	Stainless steel, 1.4404 (316L)
Process connection	G1/4" male thread
Electrical connection	Connector, M12 × 1
Pressure resistance	120 bar
<b>Reference conditions acc. to IEC 61298-1</b>	
Temperature	15...+25 °C
Atmospheric pressure	860...1060 hPa abs.
Humidity	45...75 % rel.
Auxiliary power	24 VDC
<b>MTTF</b>	2283 years acc. to SN 29500 (Ed. 99) 20 °C