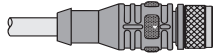


eurofast® LED Versions

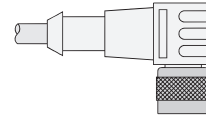
- Standard Duty PVC
- Unshielded
- 20 and 22 AWG



Right angle only



RKE ..



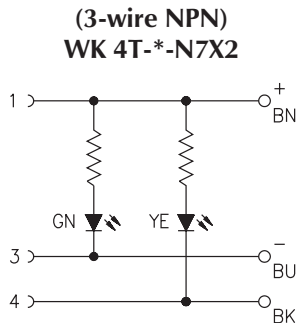
WK ..

4-pin, 10-30 VDC, 4 A, LEDs - Female

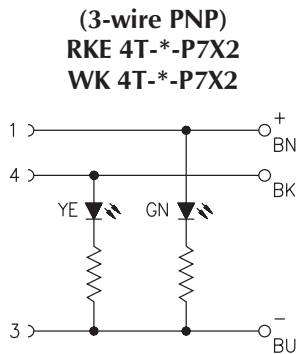
Application	Cable Specs	Pinout	Straight - PNP	Right Angle - PNP	Right Angle - NPN
3-wire DC sensors 2 indicator LEDs Power and PNP or NPN signal (straight - PNP only)	3/20 AWG Grey PVC 105°C 5.2 mm OD	1. Bn 2. N/C 3. Bu 4. Bk	RKE 4T-*-P7X2	WK 4T-*-P7X2	WK 4T-*-N7X2
4-wire DC applications 3 indicator LEDs Power and 2 PNP signals	4/22 AWG Grey PVC 105°C 5.2 mm OD	1. Bn 2. Wh 3. Bu 4. Bk	- - - -	WK 4.4T-*-P7X3	- - - -

* = Length in meters

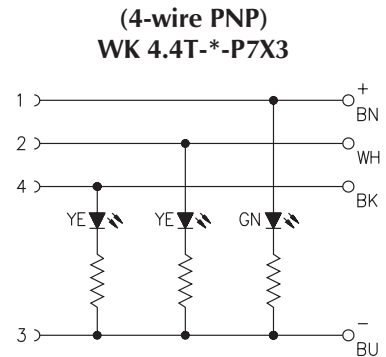
LED Diagrams



1. + Voltage (Green LED)
2. N/C
3. Common
4. Output (Yellow LED)



1. + Voltage (Green LED)
2. N/C
3. Common
4. Output (Yellow LED)



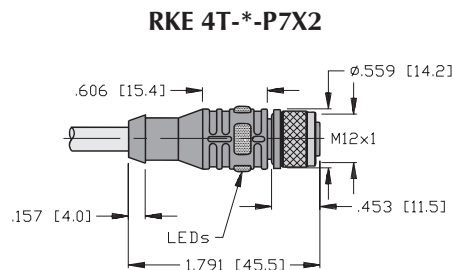
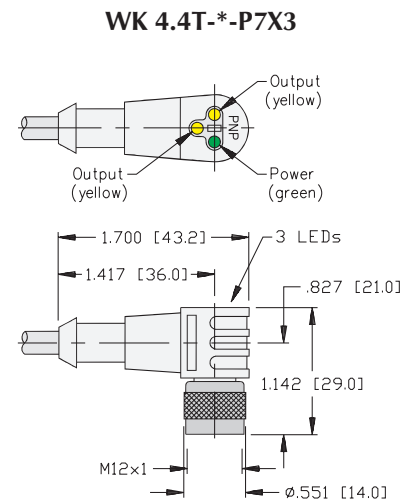
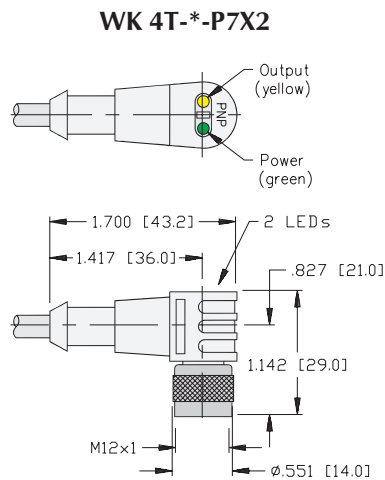
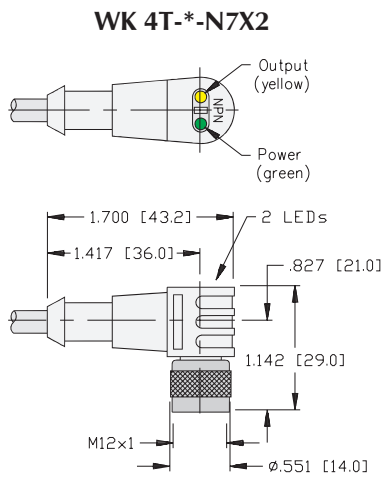
1. + Voltage (Green LED)
2. Output (Yellow LED)
3. Common
4. Output (Yellow LED)

Specifications

Connector:	Oil resistant polyurethane body material, PUR contact carrier, spacings to VDE 0110 Group C.
Contacts:	Gold plated brass.
Coupling Nuts:	Nickel plated brass.
Cable:	See table.
LED Current:	8 mA maximum at 30 VDC supply voltage (per LED).
Protection:	NEMA 1,3,4,6P and IEC IP 68.
Cable Length:	Standard cable lengths are nominal 2, 4 and 6 meters. Other lengths available by request - consult factory.

Note: Cordset extensions also available for these products, consult factory.

Dimensions



Pinouts

