

Series DC For Remote Applications

Series DC controls are designed for applications where only direct current power is available. DC units can be used as differential level controls or single point alarm contactors. Because of solid state reliability, plug-in convenience, and choice of 12 or 24 VDC supply voltage, Warrick DC controls can be used with confidence in many applications.

Contact Design	SPDT 1 N.O. & 1 N.C. (1 form C), non-powered contacts
Contact Rating	5 amp @ 30 VDC or 120 VAC Resistive 1/8 hp
Mode of Operation	Direct/Inverse, factory set
Sensitivity	0 - 1M ohm maximum, factory set
Primary Voltage	12 VDC, 24 VDC, negative ground ($\pm 20\%$)
Supply Current	40 mA when relay energized, 10 mA w/relay de-energized
Secondary Voltage	12 VDC
Terminal Style	Screw connector
Temperature	-50°F to +150°F (-46°C to +65°C)
Options	Time Delay

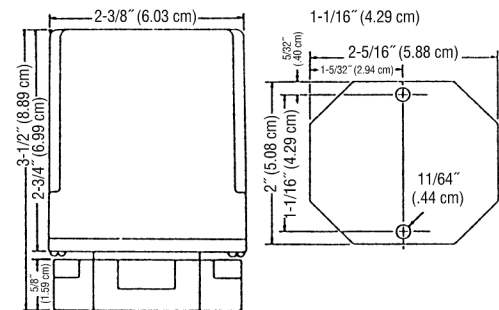


Series DC

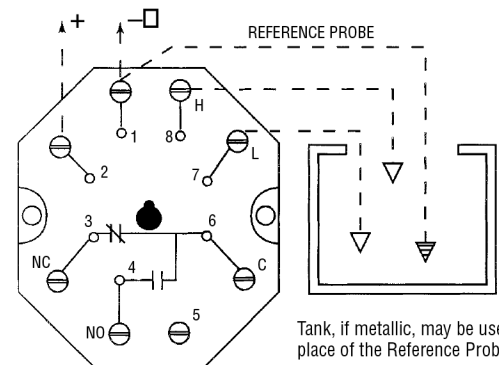
Applications

- Single and Differential Service
- Solar and Wind Powered Pumps
- Portable Cleaning Equipment
- Battery-Powered Level Control
- Well Pumps
- Remote Reservoirs
- Remote Irrigation
- Onboard Ship Level Control

Dimensions



Wiring



Tank, if metallic, may be used in place of the Reference Probe.

How to Order

Use the **Bold** characters from the chart below to construct a product code.

