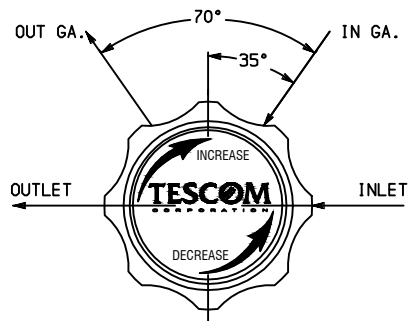


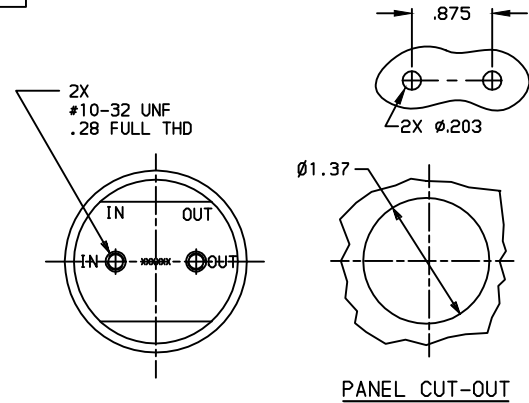
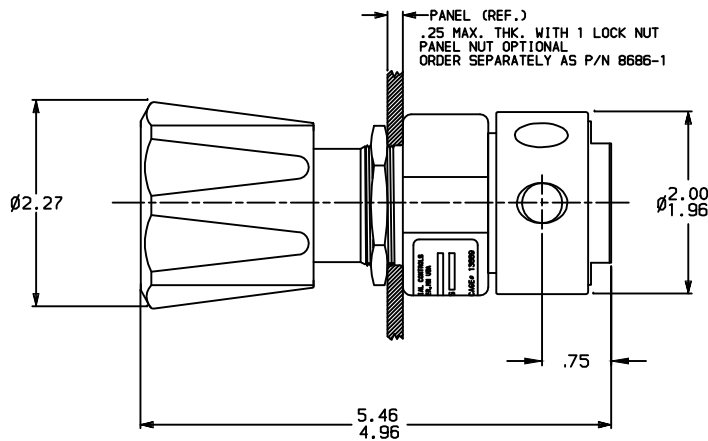
ALL DIMENSIONS REFERENCE

44-52XX-XXX



44-5200 SERIES REGULATOR

SPRING LOADED, HAND OPERATED, PISTON SENSED PRESSURE REDUCING REGULATOR



GENERAL SPECIFICATIONS:

INLET PRESSURE: SEE TABLE V  
OUTLET PRESSURE: SEE TABLE II  
DESIGN PROOF PRESSURE: 150% OF RATED PRESSURE  
PRESSURE RATING: PER CRITERIA OF ANSI/ASME B31.3  
OPERATING TEMPERATURE: -15°F TO +200°F  
LEAKAGE: BUBBLE TIGHT  
FLOW CAPACITY (Cv): SEE TABLE V  
WEIGHT: APPROXIMATELY 2 LBS.

MATERIALS CONTACTING LINE MEDIA:

SEAT: VESPEL  
O-RING: VITON  
BODY: SEE TABLE I  
REMAINING PARTS: BRASS & 300 SERIES SST

ASSEMBLY INFORMATION:

FOR ASSEMBLY OF THIS UNIT USE SPEC. A61746-01

KITS:  
NONMETALLIC:

389-7015 - - - 44-52XX-XX1  
389-7017 - - - 44-52XX-XX2

REPAIR:

389-7016 - - - 44-52XX-XX1  
389-7018 - - - 44-52XX-XX2

NOTES:

- REGULATOR INCORPORATES AN ADJUSTABLE STOP WHICH ALLOWS THE MAXIMUM OUTLET PRESSURE TO BE LIMITED TO ANY VALUE BETWEEN THE MAXIMUM RATED VALUE AND 50% OF THE MAXIMUM RATED VALUE.

SERIES NUMBER

44-5215-243

TABLE I	DASH NO.	BODY MATERIAL
	1	BRASS
	6	316 SST

TABLE II	DASH NO.	OUTLET PRESSURE	PROOF PRESSURE
	0	1-25 PSI	150%
	1	1-50 PSI	
	2	2-100 PSI	
	3	2-250 PSI	
	5	5-500 PSI	
	6	5-600 PSI	

TABLE V	DASH NO./LTR	MAX. INLET PRESSURE	FLOW CAPACITY
	1	3500 PSI	Cv. = .06
	2	400 PSI	Cv. = .15
	3	3500 PSI	Cv. = .15

TABLE IV	DASH NO./LTR	INLET & OUTLET PORT SIZE
	4	1/4

TABLE III	DASH NO.	INLET & OUTLET PORT TYPE
	2	NPT
	3	MS33649

LA	8-21-14	70925-14	HH	JTR
L	9-24-07	5535-07	SKO	DP
K	3-27-06	1237-06	DKD	DP
J	2-21-06	2-06	DKD	DP
H	7-20-01	1086-01	RAG	MKS
G	11-3-00	1267-00	MKS	EWN
F	10-3-00	1187-00	JLS	MKS
E	8-1-00	1042-00	JLS	MKS
D	4-7-00	143-00	EWN	MKS
C	1-26-00	663-00	JLS	MKS
REV.	DATE	ECO NO.	BY:	APPR
REVISIONS				
REFERENCE DRAWING(S)				

**TESCOM CORPORATION**  
INDUSTRIAL CONTROLS DIVISION  
BLK RIVER, MN USA

INFORMATION CONTAINED ON THIS DOCUMENT IS THE PROPERTY OF TESCOM CORPORATION. NO RIGHTS ARE CONVEYED NOR IS PERMISSION TO DISCLOSE TO OTHERS GIVEN.

UNLESS OTHERWISE SPECIFIED:  
D. ± .020 ANGLES: ±1°  
.00 ± .010  
.000 ± .005  
SURFACE ROUGHNESS: 100  
CORNER & FILLET RADII: .005-.020  
THREADS: CLASS 2  
REMOVE ALL BURRS  
MFG. SPEC. 80301

DRAWING MADE IN THIRD ANGLE PROJECTION  
(DO NOT SCALE DRAWING)

MATERIAL:  $\chi$

FINISH:  $\chi$

DRAWN BY:	CHECKED BY:	APPROVED BY:
EWN   12-14-99	MKS   12-16-99	MKS   12-16-99

NAME

INSTALLATION INFO

SCALE: 1:1	SIZE	NUMBER
	C	44-52XX-XXX
CODE NO. 13669	SHT.	1 OF 1