
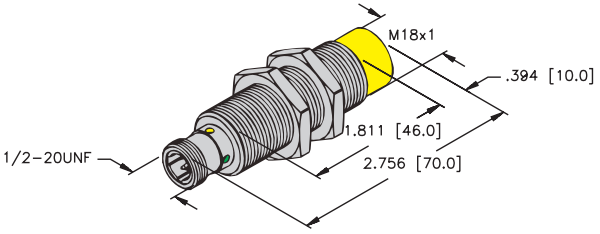
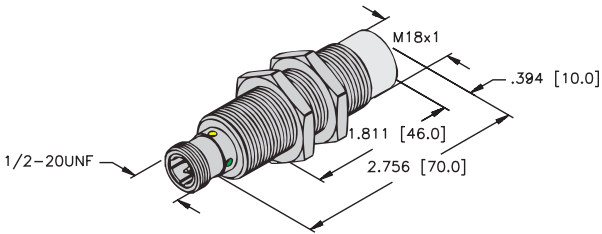
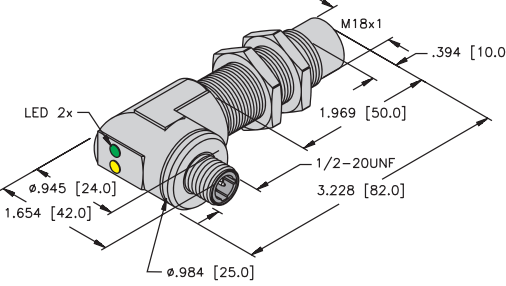


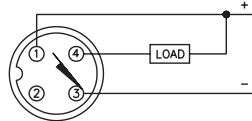
# Inductive Barrel Sensors | 18 mm

## Nonembeddable Fully Threaded Metal Barrels with Connector and AC/DC Outputs

Housing Style	Dimension Drawings
	<p>A</p>  <p>18 mm - Nonembeddable, 1/2" Microfast connection</p>
<p>B</p>  <p>18 mm - Nonembeddable, 1/2" Microfast connection, PTFE Coated</p>	<p>C</p>  <p>18 mm - Nonembeddable, PTFE Coated, 1/2" Microfast Right Angle Connection</p>

### Wiring Diagrams/Mating Cordsets

1



Mating Cordset: KB 3T.\*

A5	2-wire AC/DC w/ Short-Circuit Protection - (ADZ, RDZ, FDZ, VDZ)	
<p>Line Frequency: <math>\geq 50... \leq 60</math> Hz</p> <p>Differential Travel (Hysteresis): 3-15% (5% typical)</p> <p>Voltage Drop Across Conducting Sensor: <math>\leq 6.0</math> V</p> <p>Trigger Current for Short Circuit Protection: AC: <math>\geq 440</math> mA; DC: <math>\geq 330</math> mA</p> <p>Continuous Load Current: AC: <math>\leq 400</math> mA; DC: <math>\leq 300</math> mA</p> <p>Off-State (Leakage) Current: <math>\leq 1.7</math> mA (AC)</p> <p><math>\leq 1.5</math> mA (DC)</p>	<p>Minimum Load Current: <math>\geq 3.0</math> mA</p> <p>Inrush Current: <math>\leq 3</math> A (<math>\leq 20</math> ms, max 5 Hz)</p> <p>Power-On Effect: Per IEC 947-5-2</p> <p>Transient Protection: Per EN 60947-5-2</p> <p>Shock: 30 g, 11 ms</p> <p>Vibration: 55 Hz, 1 mm Amplitude, in all 3 Planes</p> <p>Repeatability: <math>\leq 2\%</math> of Rated Operating Distance</p>	
A6	2-wire AC/DC w/o Short-Circuit Protection - (AZ, RZ, FZ)	
<p>Line Frequency: <math>\geq 50... \leq 60</math> Hz</p> <p>Differential Travel (Hysteresis): 3-15% (5% typical)</p> <p>Voltage Drop Across Conducting Sensor: <math>\leq 6.0</math> V</p> <p>Continuous Load Current: AC: <math>\leq 400</math> mA; DC: <math>\leq 300</math> mA</p> <p>Off-State (Leakage) Current: <math>\leq 1.7</math> mA</p> <p>Minimum Load Current: <math>\geq 3.0</math> mA</p>	<p>Inrush Current: <math>\leq 8</math> A (<math>\leq 10</math>ms max. 5 Hz)</p> <p><math>\leq 1</math> A (<math>\leq 10</math> ms max. 5 Hz) 12 mm</p> <p><math>\leq 0.2</math> A (<math>\leq 10</math> ms max. 0.2 Hz) 8 mm</p> <p>Power-On Effect: Per IEC 947-5-2</p> <p>Transient Protection: Per EN 60947-5-2</p> <p>Shock: 30 g, 11 ms</p> <p>Vibration: 55 Hz, 1 mm Amplitude, in all 3 Planes</p> <p>Repeatability: <math>\leq 2\%</math> of Rated Operating Distance</p>	

We reserve the right to make technical alterations without prior notice.

# Inductive Barrel Sensors | 18 mm

## Nonembeddable Fully Threaded Metal Barrels with Connector and AC/DC Outputs

Part Number/ ID Number	Features	Sensing Range (mm)	Output	Voltage	Switching Freq. (Hz)	Operating Current (mA)	Operating Temp. (°C)	Protection	Housing	Face	Power LED	Output LED	Dimension Drawings	Wiring Diagrams	Spec List
Ni14-G18-ADZ30X2-B3331 4205403	Extended Range	14	2-wire AC/DC Short-Circuit Protected	20-250 VAC/10-300 VDC	20	≤400/300	-25 to +70	IP67	CPB	PA 12	GN	RD	A	1	A5
Ni12U-G18-ADZ30X2-B3331 4281413	Uprox	12	2-wire AC/DC Short-Circuit Protected	20-250 VAC/10-300 VDC	10	≤400/300	-30 to +85	IP67	CPB	PBT	GN	YE	A	1	A5
Ni12U-GT18-ADZ30X2-B3331 4281423	Uprox, PTFE	12	2-wire AC/DC Short-Circuit Protected	20-250 VAC/10-300 VDC	10	≤400/300	-30 to +85	IP67	TC	TC	GN	YE	B	1	A5
Ni10-G18-AZ3X-B3331 4372192		10	2-wire AC/DC	20-250 VAC/10-300 VDC	20	≤400/300	-25 to +70	IP67	CPB	PA 12	N/A	RD	A	1	A6
Ni8-G18-ADZ30X2-B3331/S34 42091	WFI	8	2-wire AC/DC Short-Circuit Protected	20-250 VAC/10-300 VDC	20	≤400/300	-25 to +70	IP67	CPB	PA 12	GN	RD	A	1	A5
Ni8-GT18-ADZ30X2-B3331/S34 4209101	PTFE, WFI	8	2-wire AC/DC Short-Circuit Protected	20-250 VAC/10-300 VDC	20	≤400/300	-25 to +70	IP67	TC	TC	GN	RD	B	1	A5
Ni8-GT18-ADZ30X2-B3431/S34 4209201	PTFE, WFI	8	2-wire AC/DC Short-Circuit Protected	20-250 VAC/10-300 VDC	20	≤400/300	-25 to +70	IP67	TC	TC	GN	RD	C	1	A5
Ni8-G18-AZ3X-B3331 4350588		8	2-wire AC/DC	20-250 VAC/10-300 VDC	20	≤400/300	-25 to +70	IP67	CPB	PA 12	N/A	RD	A	1	A6

We reserve the right to make technical alterations without prior notice.

Inductive Barrel Sensors