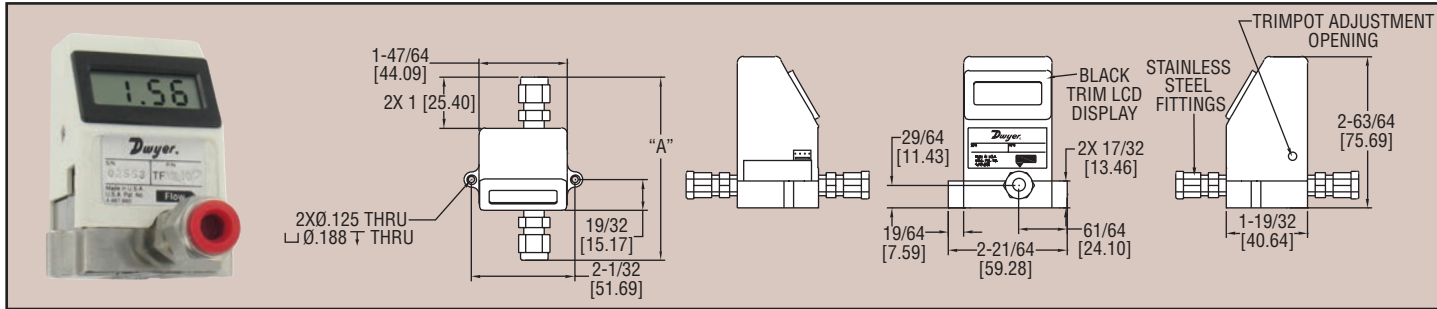


Series
TFM-LI

Liquid Turbine Flow Meter

316SS Body, 0 to 5 VDC Output, LCD Indication



Series TFM-LI Liquid Turbine Flow Meters are suitable for a wide variety of industrial, commercial, and laboratory flow applications. These meters utilize a turbine wheel and electro-optical detection to convert flow rates into a linear 0 to 5 VDC output signal for recording and data logging. A 3-1/2 digit LCD informs the user of the actual flow rate. A power adapter or mating cable assembly is required for operation.

Model	Range	Connection	"A" (in)
TFM-LI03	.21 to 1.6 GPH (.013 to .1 LPM)	1/8" OD	3-9/16
TFM-LI04	.32 to 3.2 GPH (.02 to .2 LPM)	1/4" OD	3-41/64
TFM-LI05	.79 to 7.9 GPH (.05 to .5 LPM)	1/4" OD	3-41/64
TFM-LI06	1.6 to 16 GPH (0.1 to 1 LPM)	1/4" OD	3-41/64
TFM-LI07	3.2 to 32 GPH (.2 to 2 LPM)	1/4" OD	3-41/64
TFM-LI08	7.9 to 79 GPH (.5 to 5 LPM)	3/8" OD	3-27/32
TFM-LI09	16 to 160 GPH (1 to 10 LPM)	3/8" OD	3-27/32

ACCESSORIES

Model	Description
A-454	115 VAC Power Adapter and Signal Cable
A-455	230 VAC Power Adapter and Signal Cable
A-456	36" Mating Cable with Spliced Leads

SPECIFICATIONS

Service: Clean liquids compatible with wetted materials.

Wetted Materials: 316 SS, acetal, sapphire, glass, epoxy, and fluoroelastomer.

Accuracy: ±1% of full-scale.

Linearity: ±1% of full-scale.

Repeatability: ±0.2% of full-scale.

Temperature Limits: 41 to 131°F (5 to 55°C); Storage: 32 to 158°F (0 to 70°C); Sensitivity: ±0.2% of full-scale per °C.

Pressure Limits: 500 psig (34.5 bar).

Process Connection: Compression fitting, see model table.

Power Requirements: 11.5 to 15 VDC.

Power Consumption: 35 mA @ 12 VDC.

Output Signal: 0 to 5 VDC; Minimum 2.5 kΩ load.

Electrical Connections: Four-pin power and signal connector. A power adapter or mating cable required for operation. See accessories table.

Display: LCD, 0.39" (10 mm) digits (only in LPM).

Enclosure Rating: IP10 (NEMA 1).

Weight: 0.80 lb (380 g).

Agency Approvals: CE.