

MEDIUM RANGE IN-LINE AND PANEL MOUNT FLOW METERS

In-Line and Panel Mount Flow Meters

Incorporating traditional variable area precision glass technology, these rugged brass or stainless steel flow meters offer accurate and economical solutions to medium flow range measurements. These meters are designed with unique rotatable scales of dual air-water direct reading graduations showing SCFM and SLPM (air), as well as GPM and LPM (water) markings.

Graduations reflect both metric and English systems.

Dual, rotatable direct reading scales for air and water.

Rigid, compact construction.

Vertical In-Line or panel mount.

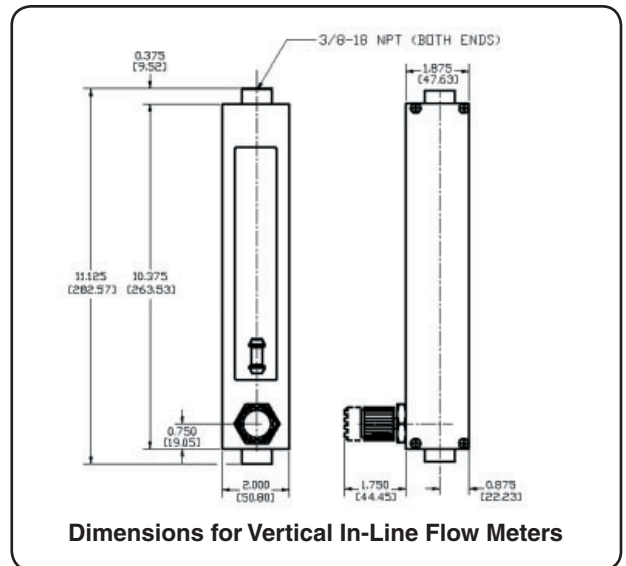
Overlapping flow ranges available from 4-20 LPM water and 140 L/min to 900 L/min air.

Precision formed borosilicate glass.

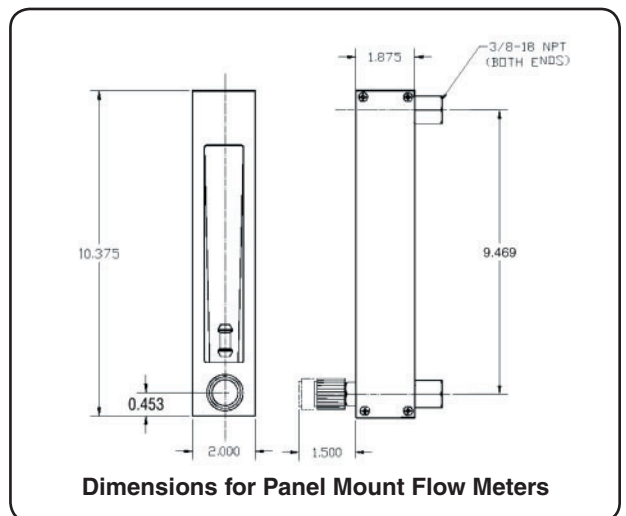


Vertical In-Line Flow Meters

Panel Mount Flow Meters



Dimensions for Vertical In-Line Flow Meters



Dimensions for Panel Mount Flow Meters

SPECIFICATIONS FOR MEDIUM RANGE FLOW METERS

- TUBE SHIELDS:** Polycarbonate.
- FLOW TUBES:** Heavy walled precision formed borosilicate glass.
- FLOATS:** Type 316 stainless steel.
- WETTED PARTS:** Brass or type 316 stainless steel.
- SEALS:** FKM.
- CONNECTIONS:** 3/8" NPT female In-Line or horizontal rear.
- SCALES:** Rotatable, direct reading air, (SCFM-L/min) and water (GPM-LPM).
- ACCURACY:** ±5% of full scale.
- MAXIMUM TEMPERATURE:** 250 °F (121 °C).
- MAXIMUM PRESSURE:** 150 PSIG (@ 200 °F).
- CONNECTIONS:** 3/8" NPT female In-Line or horizontal rear.

The selection of materials of construction, is the responsibility of the customer. The company accepts no liability.

TABLE 27, MEDIUM RANGE VERTICAL IN-LINE FLOW METERS

MAXIMUM FLOW RANGES				END FITTING MATERIAL	IN-LINE MOUNT		PANEL MOUNT	
AIR		WATER			NO VALVE	VALVE	NO VALVE	VALVE
SCFM	SLPM	GPM	LPM		MODEL NO.	MODEL NO.	MODEL NO.	MODEL NO.
5	140	1.2	4	Brass	6AV5101BNI	6AV5101BVI	6AV5101BNP	6AV5101BVP
10	280	2	8	Brass	6AV5102BNI	6AV5102BVI	6AV5102BNP	6AV5102BVP
15	425	3	11.5	Brass	6AV5103BNI	6AV5103BVI	6AV5103BNP	6AV5103BVP
20	575	4	15	Brass	6AV5104BNI	6AV5104BVI	6AV5104BNP	6AV5104BVP
30	900	5	20	Brass	6AV5105BNI	6AV5105BVI	6AV5105BNP	6AV5105BVP
5	140	1.2	4	316 S.S.	6AV5101SNI	6AV5101SVI	6AV5101SNP	6AV5101SVP
10	280	2	8	316 S.S.	6AV5102SNI	6AV5102SVI	6AV5102SNP	6AV5102SVP
15	425	3	11.5	316 S.S.	6AV5103SNI	6AV5103SVI	6AV5103SNP	6AV5103SVP
20	575	4	15	316 S.S.	6AV5104SNI	6AV5104SVI	6AV5104SNP	6AV5104SVP
30	900	5	20	316 S.S.	6AV5105SNI	6AV5105SVI	6AV5105SNP	6AV5105SVP