



304 Series shown with transparent cover

APPLICATIONS

- Tank level measurement
- Food & beverage
- Dairy
- Breweries
- Chemical processing
- Pharmaceutical

FEATURES & BENEFITS

300 Series

- Active temperature compensation
- Range adjustment and 10:1 turn down with optional Hart® protocol

302 Series

- All polished Stainless Steel housing
- Active temperature compensation
- Zero/span adjustable
- 4:1 Turn down

304 Series

- All polished Stainless Steel housing
- Active temperature compensation
- Accuracy 0.1% of adjusted span
- 10:1 Turn down
- Easy programming and range adjustment without test pressure via on-board display
- Hart® protocol

30 SERIES

- 300 Series: ranges from 40 inH₂O to 60 psig
- 302 Series: adjustable ranges from 40 inH₂O to 1,160 psig
- 304 Series: adjustable ranges from 16 inH₂O to 1,450 psig
- Hart® protocol output available on 304 Series Intelligent Transmitter
- 316 Stainless Steel wetted parts
- Strong flush diaphragm with minimal fill volume
- Can be cleaned-in-place (CIP) or steamed-in-place (SIP)
- Meets 3A requirements



	SERIES	SPECIFICATIONS
Output signals	All	4 mA to 20 mA 2-wire, 4 mA to 20 mA 2-wire and Hart® signal (304 Series only)
Pressure ranges	300 Series	Ranges from 40 inH ₂ O to 60 psig
	302 Series	Adjustable ranges from 40 inH ₂ O to 1,160 psig
	304 Series	Adjustable ranges from 16 inH ₂ O to 1,450 psig
Accuracy	300/302 Series	0.2% of adjusted span
	304 Series	0.1% of adjusted span
Stability	All	<0.1%/year
Adjustment	300 Series	With optional Hart® signal
	302 Series	Zero and span internally
	304 Series	By 3 push buttons on display or optional Hart® signal
Response time	All	<150 ms
Service life	All	>10 years
Temperature ranges	300 Series	14 °F to 158 °F (-10 °C to 70 °C)
	302/304 Series	-4 °F to 212 °F (-20 °C to 100 °C) ; 293 °F (145 °C) for 45 min.
Power requirement*	All	12 Vdc to 36 Vdc
Measuring element	All	316L Stainless Steel (Hastelloy C, Tantalum or Gold plated optional)
Connection	All	316 Stainless Steel
Housing material	All	304 Stainless Steel (316 Stainless Steel optional)
Environmental rating	300 Series	IP68
	302/304 Series	IP66 (IP68 optional)
Electrical protection	All	IP66 (NEMA 4X), IP68 (NEMA 6) optional
Weight		Weight is dependent on model and cable length

* Unregulated

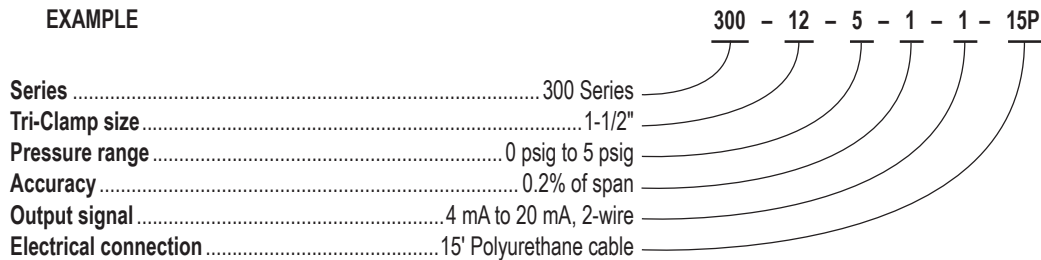


ORDERING INFORMATION							
SERIES	300	Fixed range transmitter	302	Adjustable transmitter	304	Intelligent transmitter	
TRI-CLAMP SIZE	12	1-1/2"	24	3"			
	16	2"					
300 SERIES PRESSURE RANGES (Fixed or Adjustable with HART® signal)	40 inH ₂ O	0 inH ₂ O to 40 inH ₂ O	120 inH ₂ O	0 inH ₂ O to 120 inH ₂ O	15	0 psig to 15 psig	
	60 inH ₂ O	0 inH ₂ O to 60 inH ₂ O		5	0 psig to 5 psig	30	0 psig to 30 psig
	80 inH ₂ O	0 inH ₂ O to 80 inH ₂ O		10	0 psig to 10 psig	60	0 psig to 60 psig
302 SERIES PRESSURE RANGES (Adjustable)	40/160 inH ₂ O	0 inH ₂ O to 40 inH ₂ O to 0 inH ₂ O to 160 inH ₂ O	14.5/58	0 psig to 14.5 to 0 to 58 psig	232/725	0 psig to 232 psig to 0 psig to 725 psig	
	160/277 inH ₂ O	0 inH ₂ O to 160 inH ₂ O to 0 inH ₂ O to 277 inH ₂ O	36/145	0 psig to 36 psig to 0 psig to 145 psig	580/1160	0 psig to 580 psig to 0 psig to 1,160 psig	
	277/609 inH ₂ O	0 inH ₂ O to 277 to 0 inH ₂ O to 609 inH ₂ O	100/232	0 psig to 100 psig to 0 psig to 232 psig			
304 SERIES PRESSURE RANGES (Intelligent)	16/166 inH ₂ O	0 inH ₂ O to 16 inH ₂ O to 0 inH ₂ O to 166 inH ₂ O	14.5/145	0 psig to 14.5 to 0 psig to 145 psig	290/1450	0 psig to 290 psig to 0 psig to 1,450 psig	
	47/471 inH ₂ O	0 inH ₂ O to 47 inH ₂ O to 0 inH ₂ O to 471 inH ₂ O	72.5/435	0 psig to 72.5 psig to 0 psig to 435 psig			
ACCURACIES	1	0.2% of adjusted span*					
OUTPUT SIGNALS	1	4 mA to 20 mA, 2-wire	43	4 mA to 20 mA, 2-wire and Hart® signal**			
ELECTRICAL CONNECTIONS	15P	15' Polyurethane cable	30P	30' Polyurethane cable			
OPTIONS	JB	Cable Junction Box	TC	Transparent Cover (for display)***			

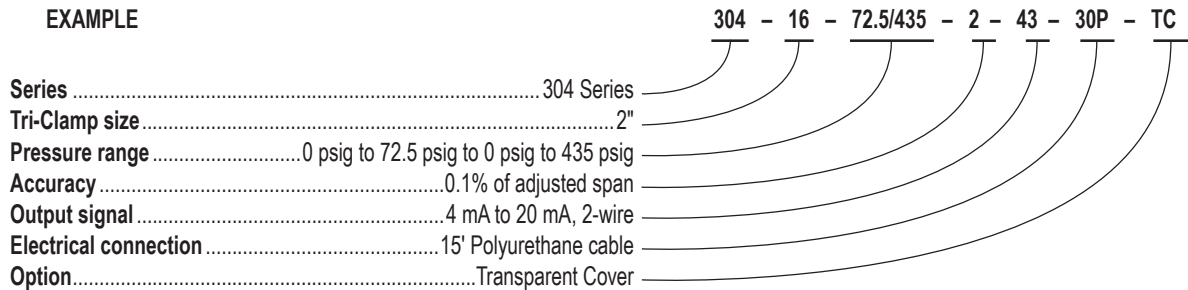
Please consult your local NOSHOK Distributor or NOSHOK, Inc. for availability and delivery information.

- * Standard accuracy on the 304 Series is ±0.1% of adjusted span
- ** Available for the 300 and 304 Series only
- *** Available for the 304 Series only

EXAMPLE

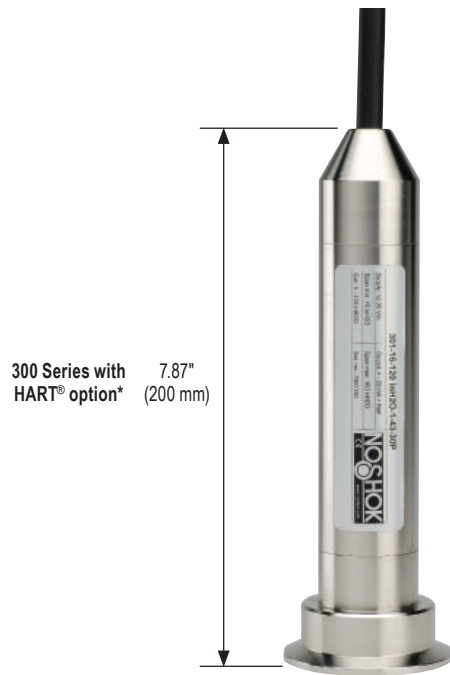


EXAMPLE



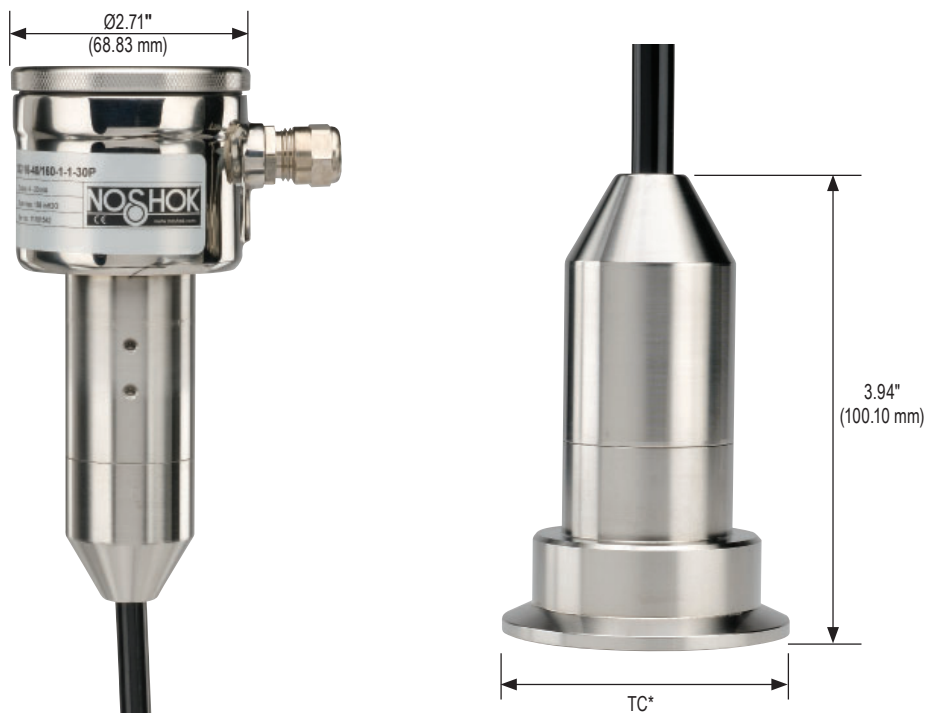
Dimensions

300 Series



* 300 Series fixed range is 6.22" (158 mm)

302 Series



*1-1/2", 2" and 3" Tri-Clamp connections available

304 Series



*1-1/2", 2" and 3" Tri-Clamp connections available