

Enclosure Mounted  
Input/Output Station

- In-Cabinet I/O
- IP 20 Protection
- Ideal for Retrofits
- Automatic Baud Rate Sensing



FDN20-4S-4XSG-0189  
FDN20-S0404G-0220\*

\* Not CE



Electrical

- Operating Current: <75 mA plus I/O currents (from bus power)
- Input Current: <700 mA sum of all inputs (from DeviceNet)
- Output Current: <500 mA per output (from DeviceNet)

Power Distribution

- Inputs: DeviceNet power supply
- Outputs: DeviceNet power supply

Mechanical

- Operating Temperature: -40 to +70°C (-40 to +158°F)
- Protection: IEC IP 20

Material

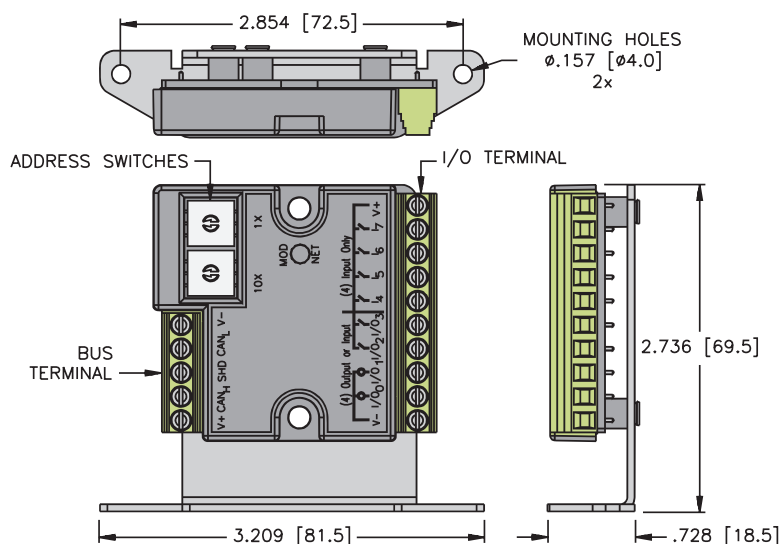
- Housing: Nylon

Diagnostics (Logical)

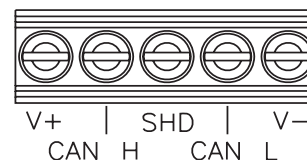
- Open/short-circuit status mapped to DeviceNet I/O table, one bit indicates a fault for all inputs and one bit indicates a fault for all outputs

Diagnostics (Physical)

- LED to indicate status of DeviceNet communication



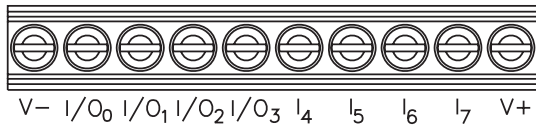
DeviceNet Connector



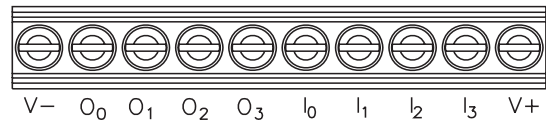
Part Number	Inputs						Outputs				Data	
	Input Count	Pinout	Sensor Style	Group	Individual	Wire-Break Detection	Output Count	Pinout	Current	Individual	Wire-Break Detection	Data Map
FDN20-4S-4XSG-0189	8	FS	PNP	X			4	FS	0.5A			1
FDN20-S0404G-0220	4	FS-2	PNP	X			4	FS-2	0.5 A			2

## Input/Output Connectors

FS



FS-2



\*Note: I/O<sub>0</sub> to I/O<sub>3</sub> can be used as inputs or outputs

I/O Data Map 1

	Byte	Bit 7	Bit 6	Bit 5	Bit 4	Bit 3	Bit 2	Bit 1	Bit 0
In	0	I-7	I-6	I-5	I-4	I-3	I-2	I-1	I-0
	1	IGS	OGS	-	-	-	-	-	-
Out	0	-	-	-	-	0-3	0-2	0-1	0-0

I/O Data Map 2

	Byte	Bit 7	Bit 6	Bit 5	Bit 4	Bit 3	Bit 2	Bit 1	Bit 0
In	0	IGS	OGS	-	-	I-3	I-2	I-1	I-0
Out	0	-	-	-	-	0-3	0-2	0-1	0-0