



TR10-4 Industrial RTD Assembly Spring Loaded (Neck Extension External)

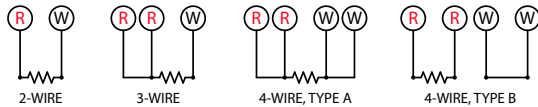
TR10-4 resistance temperature detectors (RTDs) are industrial assemblies supplied with or without a temperature transmitter. An extensive range of elements, connection heads, insertion lengths and neck lengths can be individually selected for the appropriate application.

Spring loading is achieved utilizing a spring loaded bushing as or as part of the neck extension. The spring loaded bushing can be combined with a nipple and union for ease of installation. An oil seal bushing with o-ring is also available for direct mount into the process.

Replacement sensors can also be configured for this model.

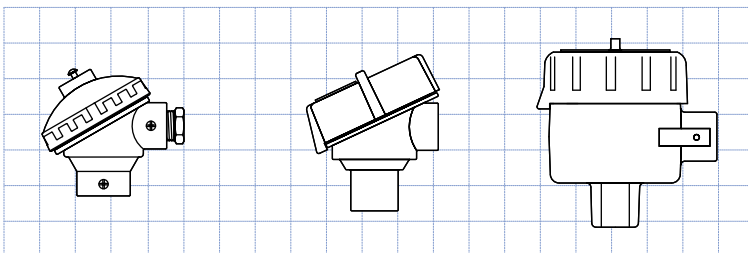
Features:

- The sensor is designed to be mounted into a thermowell or directly into the process (oil seal bushing).
- The assembly has electrical approvals for explosion proof hazardous locations, ingress protection and general purpose areas.
- Electrical authorities that have registered these approvals include CSA, FM and ATEX. The approvals must be with an attached WIKA thermowell.
- The RTD sensor is spring-loaded ensuring a positive contact to the required location.



Connection Heads

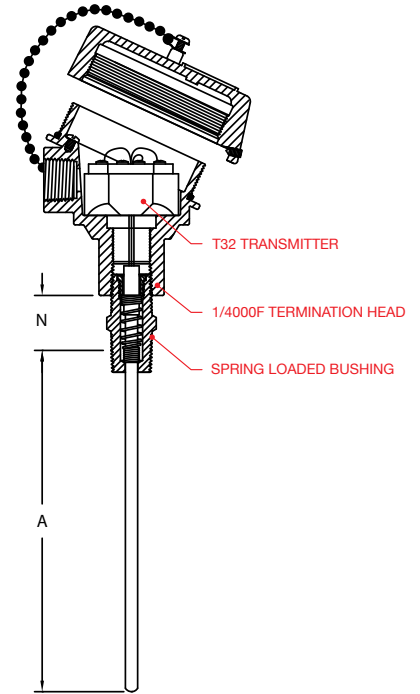
Imperial Grid 1" x 1"



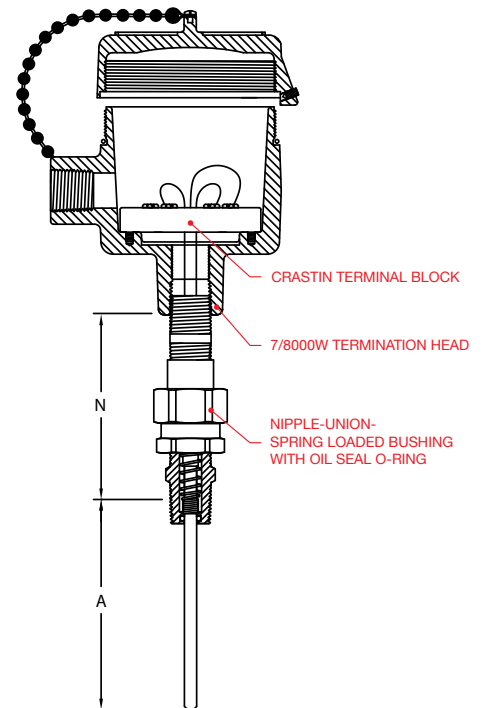
KN4-A
KN4-P

1/4000F
1/4000S

7/8000W



RTD ASSEMBLY SAMPLE
TR10-4-0-I-C-1AW13-6-SL-010-C-B-K-C-1-P-00600-Z



RTD ASSEMBLY SAMPLE
TR10-4-0-I-Z-7AW13-1-OU-030-C-B-K-C-1-P-00600-Z

TR10-4-...

1 2 3 4 5 6 7 8 9 10 11 12 13 14 15 16

Part Number
TR10-4-X-X-XXXXX-X-XX-XXX-X-
X-X-X-X-XXXXX-X

1 Assembly description	
Code	
0	Industrial assembly configured
1	Industrial sensor configured (no termination head)

2 Unit of measure	
I	Imperial (inch)
M	Metric (mm)

3 Electrical approval	
C	CSA Ex-proof Class I Division 1
F	FM Ex-proof Class I Division 1
J	EEC-d (ATEX) acc. to directive 94/9/EC
Z	Without

4 Connection head	
1AW	1/4000 F (Aluminum)
1SW	1/4000 S (Stainless steel)
7AW	7/8000 W (Aluminum)
KAW	KN4-A (Aluminum)
KPW	KN4-P (Polypropylene)
ZZZ	Without

5 Instrument x Conduit entry	
11	1/2 NPT x 1/2 NPT
13	1/2 NPT x 3/4 NPT
12	1/2 NPT x M20x1.5
31	3/4 NPT x 1/2 NPT (reducer)
33	3/4 NPT x 3/4 NPT
32	3/4 NPT x M20x1.5
ZZ	Without

6 Terminal block / Transmitter	
1	Crastin terminal block
2	Ceramic terminal block
3	T12, Digital transmitter, universally programmable
8	T19, Analogue transmitter, configurable measuring ranges (bridges)
4	T24, Analogue transmitter for Pt100, PC-configurable
6	T32, Digital transmitter, HART®, universally programmable
9	T53, Fieldbus transmitter, FOUNDATION Fieldbus, PROFIBUS® PA
B	T91.10, Analogue transmitter, fixed measuring range
Y	Without

7 Neck extension	
SL	Spring loaded bushing without oil seal (SS)
OS	Spring loaded bushing with oil seal (SS)
SU	Spring loaded bushing-Union-Nipple (SS)
OU	Nipple-Union-Spring loaded bushing with oil seal (SS)

8 N-Dimension (N) - Neck Extension Length	
010	1.0 inch (25 mm) - Standard for Bushings only (no Union)
030	3.0 inch (76 mm)
040	4.0 inch (102 mm)
050	5.0 inch (127 mm) - Standard for Union-Nipple
060	6.0 inch (152 mm)
080	8.0 inch (204 mm)

9 RTD Sensor	
D	Pt100, class B (IEC 60751)
C	Pt100, class A (IEC 60751)
F	Pt100, 1/10 DIN of class B at 0°C
E	Pt10, class A (IEC 60751)
A	Cu10, class B
B	Ni120, class B
K	Pt1000, class B (IEC 60751)
J	Pt1000, class A (IEC 60751)
I	Pt100, class AA (IEC 60751)

10 Wiring configuration	
A	Single 2-wire
B	Single 3-wire
C	Single 4-wire
D	Single 4B-wire
E	Dual 2-wire
F	Dual 3-wire
G	Dual 4-wire
H	Dual 4B-wire

11 Temperature range	
K	-50...+250 °C, thin film
A	-50...+500 °C, thin film
M	-200...+250 °C, wire wound
T	-200...+450 °C, wire wound
H	-200...+600 °C, wire wound
Q	0...+750 °C, wire wound
G	0...+150 °C, thin film

12 Tip Construction	
C	General Purpose
F	Fast response (copper tip)

13 Sensor diameter	
1	1/4 inch / 0.250 inch (6.35 mm)
D	6.0 mm (0.235 inch)

14 Sheath material	
P	Stainless steel 316 / 316 L (1.4401 / 1.4435)
J	Inconel® 600 (2.4816)

15 A-Dimension (A) - Sensor Insertion Length	
****	Please specify (e.g. 84 mm = 00084) (e.g. 9.5 inch = 00950)

16 Certificates	
1	Yes!
Z	Without

Notes:

¹See Data Sheet CERT.31 for certificate options and details.