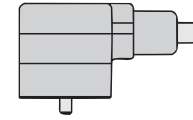
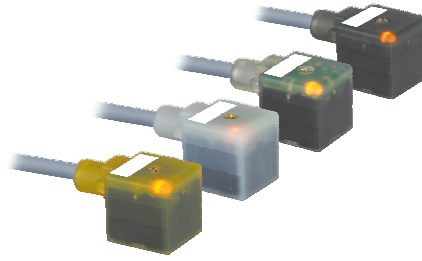


# TURCK Valve Connector Products

## Valve Connectors, Type "A" (18 mm)

- Available with PVC, TPU and Rubber Jacket
- 18 and 24 AWG
- 2 Conductors + Ground, Ground Contacts Parallel Wired



Type A

### "A" Style Valve Connectors, Standard Color Code

Application	Cable Specs	Pinout	Voltage VAC/DC	Straight Wired	Indicator LED	Indicator LED and MOV**	Indicator LED and Diode - DC only
Standard duty PVC	3/18 AWG, Grey PVC 105°C 6.2 mm OD Black Body	1. BK 1 2. BK 2 Gnd - GN/YE	0-220	VAS 22-A653-*M	- - - -	- - - -	- - - -
			24-48	- - - -	VAS 22-B653-*M	VAS 22-D653-*M	VAS 22-F653-*M
			110-220	- - - -	VAS 22-C653-*M	VAS 22-E653-*M	- - - -
Standard duty TPU	3/18 AWG, Grey TPU 80°C 6.0 mm OD Black Body	1. BK 1 2. BK 2 Gnd - GN/YE	0-220	VAS 22-A669-*M	- - - -	- - - -	- - - -
			24-48	- - - -	VAS 22-B669-*M	VAS 22-D669-*M	VAS 22-F669-*M
			110-220	- - - -	VAS 22-C669-*M	VAS 22-E669-*M	- - - -

### "A" Style Valve Connectors, IEC Color Code

Application	Cable Specs	Pinout	Voltage VAC/DC	Straight Wired	Indicator LED	Indicator LED and MOV**	Indicator LED and Diode - DC only
Small diameter PVC	3/24 AWG, Yellow PVC 105°C 4.4 mm OD Black Body	1. BN 2. BU Gnd - BK	0-220	VAS 22-A642-*M	- - - -	- - - -	- - - -
			24-48	- - - -	VAS 22-B642-*M	VAS 22-D642-*M	VAS 22-F642-*M
			110-220	- - - -	VAS 22-C642-*M	VAS 22-E642-*M	- - - -
Small diameter TPU	3/24 AWG, Black TPU 80°C 4.2 mm OD Black Body	1. BN 2. BU Gnd - BK	0-220	VAS 22-A587-*M	- - - -	- - - -	- - - -
			24-48	- - - -	VAS 22-B587-*M	VAS 22-D587-*M	VAS 22-F587-*M
			110-220	- - - -	VAS 22-C587-*M	VAS 22-E587-*M	- - - -
Rubber	3/18 AWG, Yellow CPE SJOOW, 105°C 8.0 mm OD Black Body	1. BN 2. BU Gnd - BK	0-220	VAS 22-A654-*M	- - - -	- - - -	- - - -
			24-48	- - - -	VAS 22-B654-*M	VAS 22-D654-*M	VAS 22-F654-*M
			110-220	- - - -	VAS 22-C654-*M	VAS 22-E654-*M	- - - -

### "A" Style Valve Connectors, Automotive Color Code

Application	Cable Specs	Pinout	Voltage VAC/DC	Straight Wired	Indicator LED	Indicator LED and MOV**	Indicator LED and Diode - DC only
Rubber	3/18 AWG, Yellow CPE SJOOW, 105°C 8.0 mm OD Yellow Body	1. RD 1 2. RD 2 Gnd - GN	0-220	VAY 22-A658-*M	- - - -	- - - -	- - - -
			24-48	- - - -	VAY 22-B658-*M	VAY 22-D658-*M	- - - -
			110-220	- - - -	VAY 22-C658-*M	VAY 22-E658-*M	- - - -

\* Length in meters

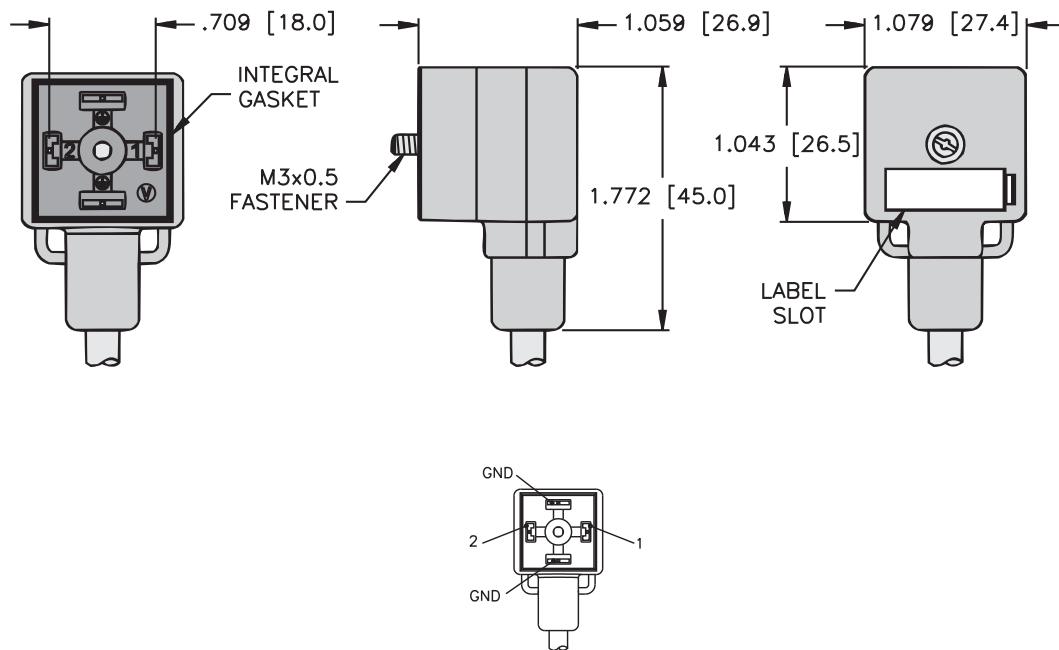
## Specifications

- Connector:** Oil resistant polyurethane body material, Nylon contact carrier.
- Contacts:** Silver plated copper alloy.
- Cable:** See table.
- Cable length:** Standard cable lengths are nominal 2, 5 and 10 meters. Other lengths available by request - consult factory.
- Protection Class:** NEMA 1,3,4,6P and IEC IP 67 when connected and secured.

**Options:** Grey connector body available (special order), change part number VAS.. or VAY.. to VAG.. For other combinations or options, consult factory.

## Dimensions

### Type A



## Wiring Diagrams

Straight Wired (A)	Indicator LED (B,C)	Indicator LED and MOV (D,E)	Indicator LED and Diode - DC (F)
<p>Wiring diagram for Straight Wired (A) showing two signal lines (1 and 2) and two ground (GND) connections.</p>	<p>Wiring diagram for Indicator LED (B,C) showing a bridge circuit with an LED (YE) and a resistor. Signal lines 1 and 2 are connected to the bridge, and ground (GND) is connected to the other two bridge nodes.</p>	<p>Wiring diagram for Indicator LED and MOV (D,E) showing a bridge circuit with an LED (YE) and a resistor. Signal lines 1 and 2 are connected to the bridge, and ground (GND) is connected to the other two bridge nodes. A MOV is connected across the bridge.</p>	<p>Wiring diagram for Indicator LED and Diode - DC (F) showing a bridge circuit with an LED (YE) and a resistor. Signal lines 1 and 2 are connected to the bridge, and ground (GND) is connected to the other two bridge nodes. A diode is connected across the bridge.</p>