



SERIES DFS2 | LOW LIMIT FREEZE PROTECTION SWITCH



Manual reset option shown

FEATURES/BENEFITS

- Vapor-filled copper capillary sensing element
- Joint spring protector at capillary-bellow connection
- Set point safety-lock protection and simple adjustment
- Easy installation and wiring
- Automatic and manual reset

APPLICATIONS

- HVAC Equipment
- Heat Exchangers and Cooling coils

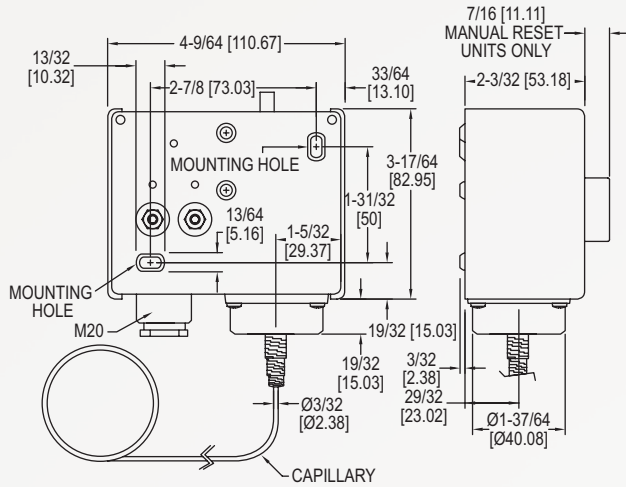
DESCRIPTION

The **Series DFS2 Low Limit Freeze Protection Switch** protects cooling coils in air handler systems by preventing frost build up. The thermostat and its capillary sensing element provide an antifreeze function by sensing the lowest temperature along any one foot section of capillary. The DPDT manual or automatic reset relays signal the building management system as well as cut off the fan. The Series DFS2 will detect temperature drops below the fixed safety value (set point) which can be set as low as 34°F (1°C) utilizing the visual set point indicator and set point screw.

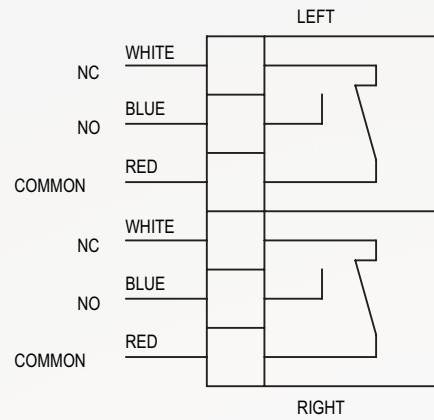
SPECIFICATIONS

| | |
|---------------------------------------|--|
| Sensing Element | Vapor-filled capillary. |
| Operating Temperature | 14°F to 54°F (-10°C to 12°C). |
| Storage Temperature | 14°F to 158°F (-10°C to 70°C). |
| Capillary Overload Temperature | 392°F (200°C), maximum 60 min. |
| Humidity Limit | 0 to 95% RH, non-condensing. |
| Enclosure | Galvanized steel base, ABS cover. |
| Enclosure Rating | NEMA 1 (IP40). |
| Capillary Material | Copper. |
| Cable Entry | (1) M20 compression fitting. |
| Reset Action | Available in automatic or manual reset options. |
| Low-level Setpoint | Factory Set: 39°F (4°C), and safety lock secured; Adjustment via screwdriver slot. |
| Wire Connection | Terminal with wire-retaining screws. |
| Wire Size | Max. 14 AWG. |
| Electrical Rating | 24-250 VAC, 15 (8) A. |
| Electrical Connections | Two each NO/NC/Common. |
| Deadband | 1.8°F (fixed). |
| Weight | 1.6 lb (0.7 kg). |
| Agency Approvals | CE. |

DIMENSIONS

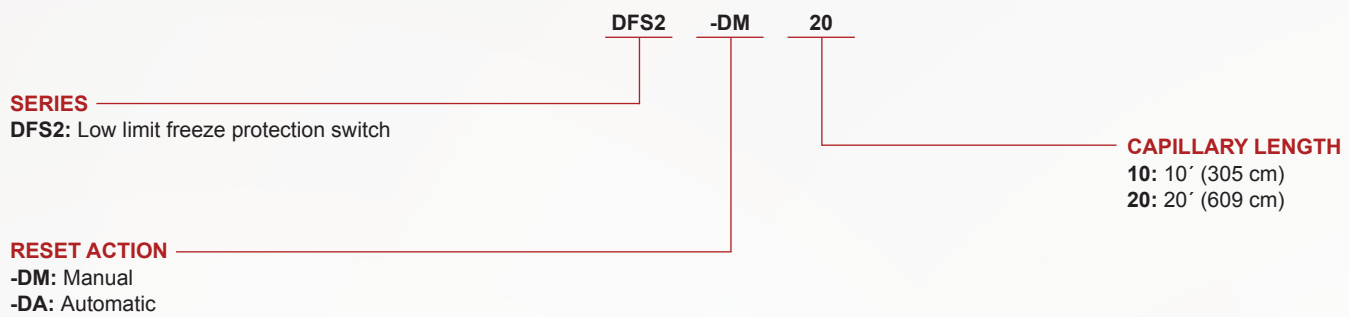


WIRING DIAGRAM



HOW TO ORDER

Use the **bold** characters from the chart below to construct a product code.



ACCESSORIES

| Model | Description |
|----------|-------------------------------------|
| A-DFS2-C | Capillary mounting clips (6 pieces) |

ORDER ONLINE TODAY!

dwyer-inst.com/Product/SeriesDFS2



DWYER INSTRUMENTS, INC.

©Copyright 2019 Dwyer Instruments, Inc.
Printed in U.S.A. 10/19

DS-DSF2 Rev. 1

Important Notice: Dwyer Instruments, Inc. reserves the right to make changes to or discontinue any product or service identified in this publication without notice. Dwyer advises its customers to obtain the latest version of the relevant information to verify, before placing any orders, that the information being relied upon is current.